



RoHS
Compliant
2002/95/EC

REV.	ECN. NO.	APPD.

DIMENSIONS

MODEL CODE:

DCB0-01240- A □ PB BK S 0 4

(1) (2) (3)(4) (5) (6) (7)(8) (9)

(1):Series type:DIP DC POWER JACK.

(2):Series No.

(3):Schematic option: A , B

(4):Center pin diameter:

H=∅2.0 , J=∅2.5

(5):Material of housing:

PB=PBT (Only)

(6):Housing color:

BK=Black (Only)

(7):Terminal plating

S=Silver(Ag)

T=Tin(Sn)

C=copper&tin alloy plating (Standard)

(8):Special option:

0=No special option

(9):Packing mode:

4=Bag packing

SPECIFICATION:

1.Rating : DC 30V 3A;

2.Contact resistance: ≤30mΩ;

3.Insulation resistance: ≥100MΩ (DC250V);

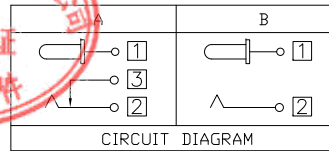
4.Withstand voltage: 500VAC ;

5.Insertion and extraction force: 3-30N;

6.life test: 5,000 cycles;

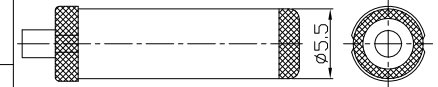
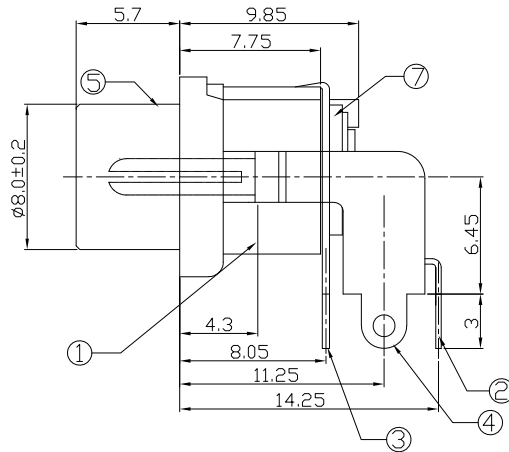
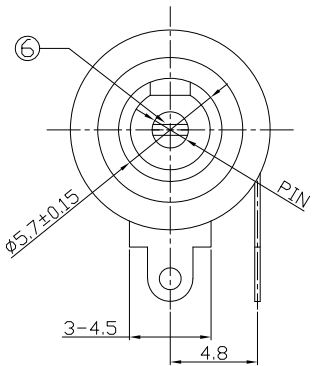
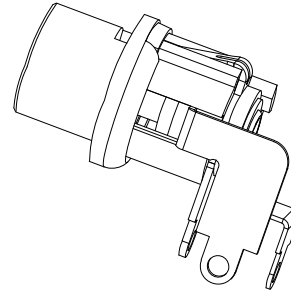
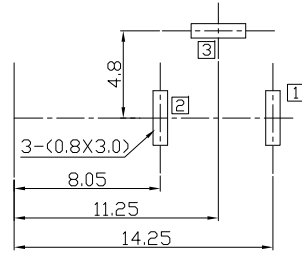
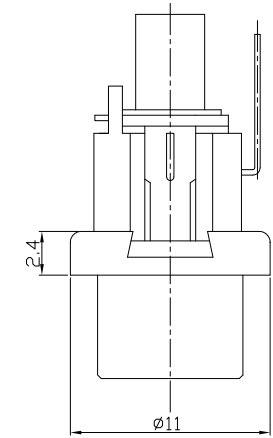
7.Operation temperature range:-20°C~70°C;

8.Preservative temperature range:-40°C~85°C;



Model No.	H	J
CENTER PIN	∅2.0	∅2.5

DC MATE PLUG



○: ITEM NO. □: TERMINAL NO.

NO.	PARTS	MATERIAL	Q'TY	FINISHING
⑥	Center pin	① Phosphor bronze	1	Ni-Plating
⑤	Bushing	Brass	1	Ni-Plating
④	Shunt terminal	③ Phosphor bronze	1	Cu-Sn-Plating
③	Tip spring	② Phosphor bronze	1	Cu-Sn-Plating
②	Center pin terminal	① Brass	1	Cu-Sn-Plating
①	Housing	PBT	1	Black

THESE DRAWINGS AND SPECIFICATIONS ARE THE PROPERTY OF ACCURATE INNOTECH INC AND SHALL NOT BE REPRODUCED, COPIED OR USED IN ANY MANNER WITHOUT THE PRIOR WRITTEN CONSENT OF ACCURATE INNOTECH INC.

TOLERANCE	ANGLES	UNITS
±0.3	±2'	mm
SEE NOTE	SEE NOTE	MAT'L
SEE NOTE	SEE NOTE	FINISH
Q'TY	Q'TY	Q'TY

东莞市铀高电子制品有限公司

TITLE: DIP DC POWER JACK
DR: Ricky 2019/05/03
CHKD: Ricky 2019/05/03
APPD:

PART NO.: DCB0-01240
DWG NO.: AB0-01240

SCALE	SHEET	REV.	CUSTOMER DRAWING
1:1	1/1	A	