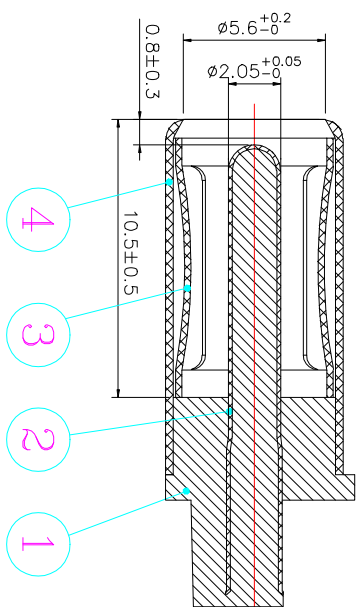
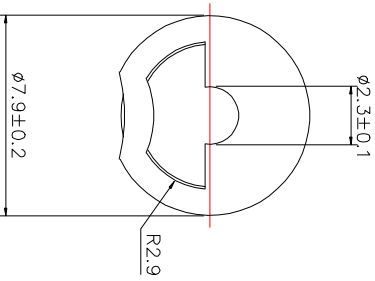
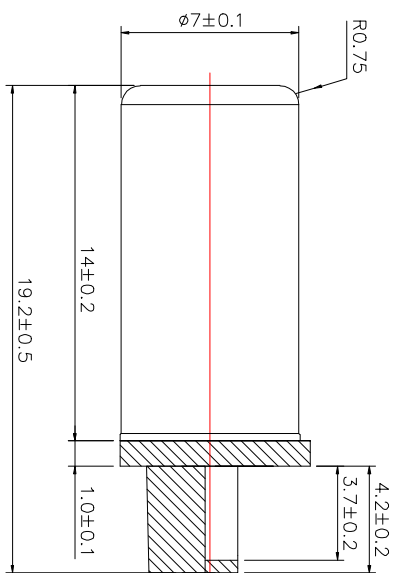
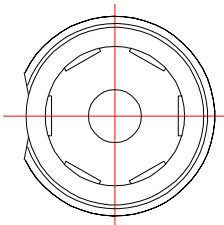


ROHS



Technology Request:

1. Outlook: No burr/no hurt.
2. Electrical performance:
 - a. Insulation resistance: Above DC500V/100MΩ;
 - b. Endure voltage: AC500V at 1 minute;
 - c. Contact resistance: Under 30mΩ;
3. Insertion force & withdrawal force: 0.3-3kgf.
4. Salt spray test: 24H.
5. Meet RoHS.
6. Remark * is important specification.

REV	修正描述 REV.LTR	修正前 BEFORE REVISION	修正后 AFTER REVISION	签名 SIGN	日期 DATE
V1.0		新版制定		June	20190531
V1.1		中心槽长度17 中心槽槽宽1±0.3	中心槽长度17.7 中心槽槽宽0.8±0.3	June	20190802

单位 Unit	mm
一般公差 The general tolerance	
比例 Scale	XX: ±0.3
视图 Third angle projection	X.X: ±0.1
	.xx: ±0.05

NO.1	PART	MATERIAL	PLATING
1	PLASTIC	PBT	BLACK
2	2.06*2.2*17.7#	C2680	NI 1um-3um
3	5521/5#6.3*0.2#	SUS201	NI 1um-3um
4	7*14*7.1*0.18#	C2680	NI 1um-3um

批准 APPROVED BY	杨义邦	制图 DRAWN BY	李莹峰
检查 CHECKED BY	李莹峰	审核 APPROVED BY	杨义邦
日期	June	日期	June

规格 DESCRIPTION:		DC JACK 5.5*5.2*19.2
品名 P/N:		5521JD70
图号 DRAWN NO:		CP-03-0066

东莞市铷高电子有限公司

1	2	3	4	5	6	7	8	9
---	---	---	---	---	---	---	---	---