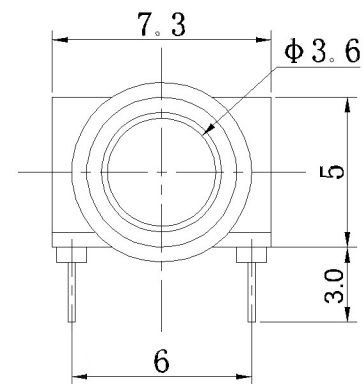
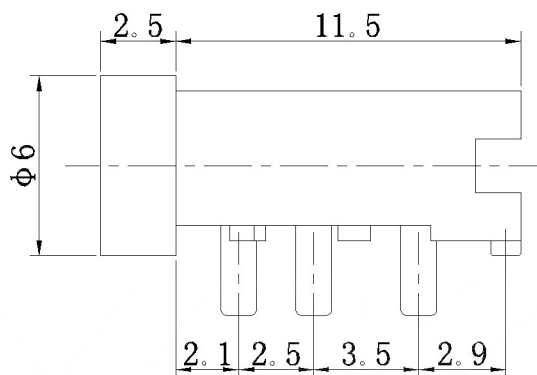
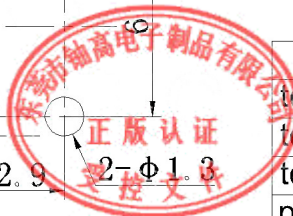
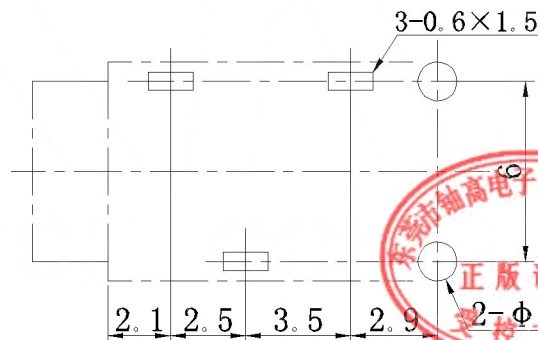
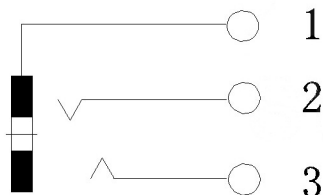


PJ-309A-1



Copper set  
PJ-309A-2



	MATERIAL	PLATING
terminal 1	Phosphor Bronze	tin
terminal 2	Phosphor Bronze	tin
terminal 3	Phosphor Bronze	tin
plastic	Pbt	

REVISIONS					UNSPECIFIED TOLERANCES		DSND	DATE	SCALE: N/A	MODEL TYPE: 3.5 PHONE JACK
ΔX					ANGLAR	±5°	DWN	DATE	VIEW:	PART NO.:
ΔX					X.X	±0.2mm	CHKD	DATE	UNIT: mm	DWG NO.:
ΔX					X.XX	±0.1mm	APPD	DATE	SIZE: A4	<b>PJ-309A-X</b>
MARK	DESCRIPTION	DATE	REVISED	APPROVED	X.XXX	±0.05mm	<b>东莞市铀高电子制品有限公司</b>			WEIGHT 1.0g
										SHEET 1/1
										REVISION A0