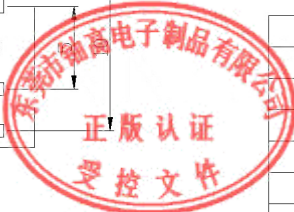
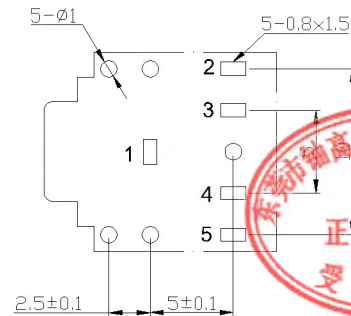
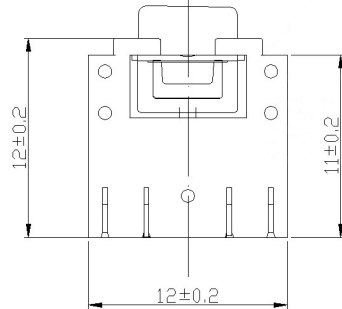


color B: Black W: White



	MATERIAL	PLATING
terminal 1	Phosphor Bronze	tin
terminal 2	Phosphor Bronze	tin
terminal 3	Phosphor Bronze	tin
terminal 4	Phosphor Bronze	tin
terminal 5	Phosphor Bronze	tin
plastic	Pbt	

MARK	DESCRIPTION	DATE	REVISED	APPROVED	UNSPECIFIED TOLERANCES
Δx					ANGULAR ±5°
Δx					X.X ±0.2mm
Δx					X.XX ±0.1mm
					X.XXX ±0.05mm

DSND	DATE	SCALE: N/A	MODEL TYPE: 3.5 PHONE JACK
DWN	DATE	VIEW:	PART NO.:
CHKD	DATE	UNIT: mm	DWG NO.: PJ-307-HD-X
APPD	DATE	SIZE: A4	WEIGHT 1.0g SHEET 1/1 REVISION A0

东莞市铀高电子制品有限公司