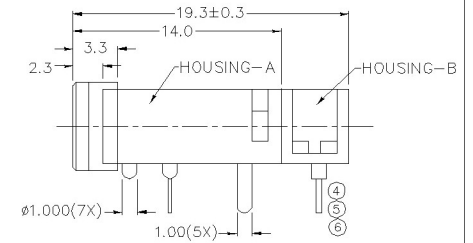
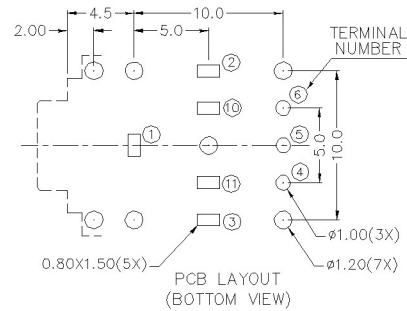
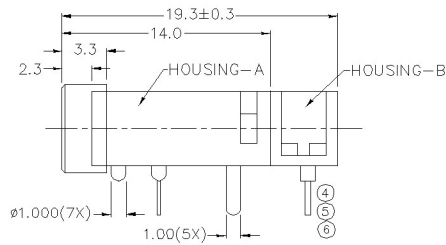


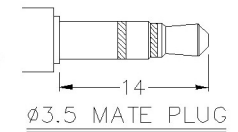
PJ-307AX-1



Copper set

PJ-307AX-2

MODEL NO.	PJ-307A0-	PJ-307A1-	PJ-307A2-	PJ-307A3-	PJ-307A4-	PJ-307A5-
SCHEMATIC						



	MATERIAL	PLATING
terminal 1	Phosphor Bronze	tin
terminal 2	Phosphor Bronze	tin
terminal 3	Phosphor Bronze	tin
terminal 10	Brass	tin
terminal 11	Brass	tin
plastic	Pbt	

MARK	DESCRIPTION	DATE	REVISED	APPROVED	ANGLAR	±5°	DSND	DATE	SCALE: N/A	MODEL TYPE:		
Δx					X.X	±0.2mm	DWN	DATE	VIEW:	3.5 PHONE JACK		
Δx					X.XX	±0.1mm	CHKD	DATE	UNIT: mm	PART NO.:		
Δx					X.XXX	±0.05mm	APPD	DATE	SIZE: A4	DWG NO.:		
	REVISIONS				UNSPECIFIED TOLERANCES		东莞市铀高电子制品有限公司			WGT	SHEET	REVISION
										1.0g	1/1	A0