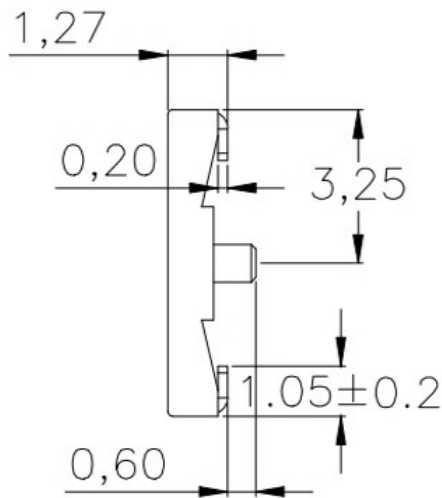
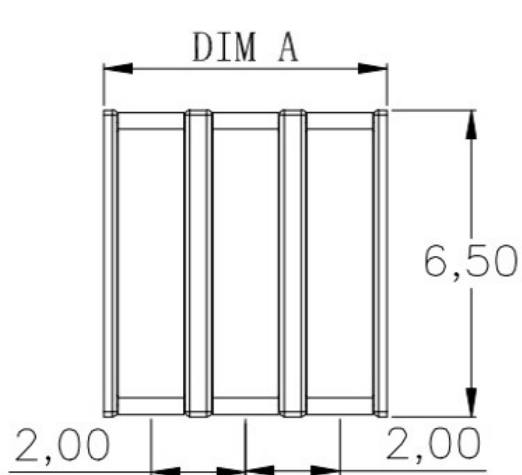
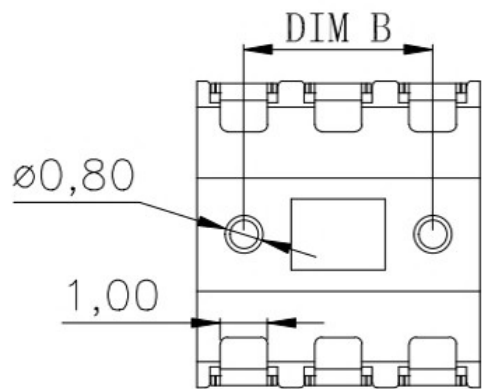
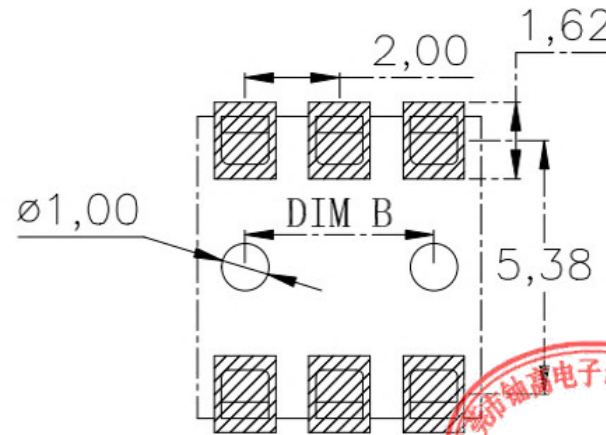
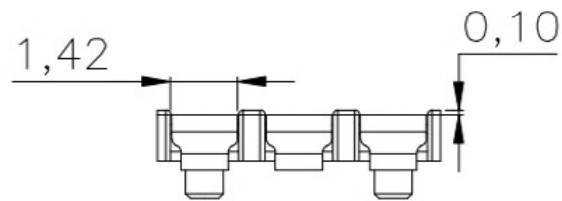
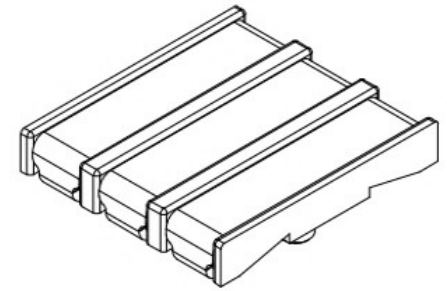


REV.	ECN NO.	DESCRIPTION	DESIGN	DATE
A		INITIAL	Kai	2018.03.29



DIM A	DIM B
4.0	2.0
6.0	4.0
8.00	6.0
10.0	8.0
12.0	10.0
14.0	12.0
16.0	14.0



性能:
 额定电流: 2.0A
 额定电压: 12V
 耐电压: 500V
 接触电阻: 30mΩ
 绝缘电阻: 500MΩ
 工作温度: -40℃~+85℃
 塑件(材质): LCP
 接触点(材质): 磷铜, 镀金

RECOMMENDED PCB LAYOUT
 TOP VIEW (.XX±0.05)



UNLESS OTHERWISE SPECIFIED TOLERANCES

东莞市铀高电子制品有限公司

DECIMALS:		ANGLES:	
DIM	TOL	DIM	TOL
X.	±0.50	X.	±2°
X.X	±0.30	X.X	±1°
X.XX	±0.20	X.XX	---
X.XXX	±0.10	X.XXX	---

DWG NO.	
DESIGN:	
CHECK:	
APPROVED	

PART NAME:		PART NO.	
REV.	UNIT:	SHEET:	
A	mm	1/1	

ITEM	PART NAME	Q'TY	MATERTAL	DESCRIPTION	REMARK
②	HOUSING	1	LCP		BLACK
①	CONTACT A	2	PHOSPHOR BRONZE 0.20T	Au PLATED	