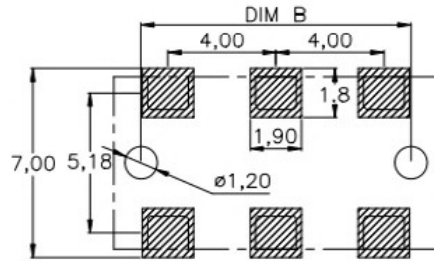
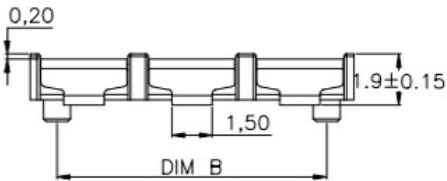
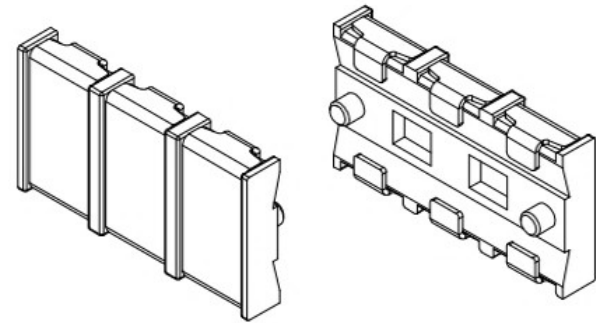
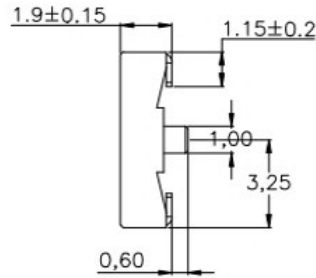
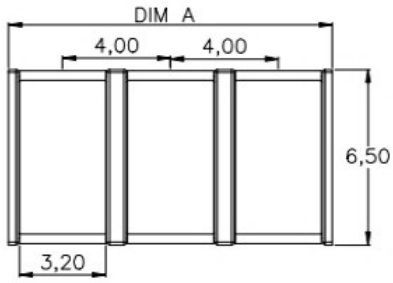
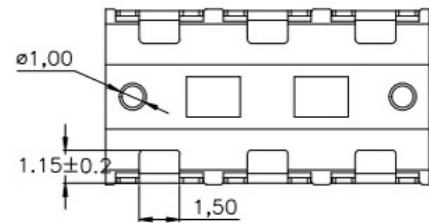


REV.	ECN NO.	DESCRIPTION	DESIGN	DATE
A		INITIAL	Kai	2018.03.29



RECOMMENDED PCB LAYOUT
TOP VIEW (.XX±0.05)



DIM A	DIM B
8.0	6.0
12.0	10.0
16.0	14.0
20.0	18.0
24.0	22.0

性能:
 额定电流: 2.0A
 额定电压: 12V
 耐电压: 500V
 接触电阻: 30mΩ
 绝缘电阻: 500MΩ
 工作温度: -40℃~+85℃
 塑件(材质): LCP
 接触点(材质): 磷铜, 镀金



UNLESS OTHERWISE SPECIFIED TOLERANCES				东莞市铀高电子制品有限公司			
DECIMALS:		ANGLES:		DWG NO.	PART NAME:		
				DESIGN:	PART NO.		
				CHECK:	REV. UNIT: SHEET:		
DIM	TOL	DIM	TOL	APPROVED	A	mm	1/1
X.	±0.50	X.	±2°				
X.X	±0.30	X.X	±1°				
X.XX	±0.20	X.XX	----				
X.XXX	±0.10	X.XXX	----				

ITEM	PART NAME	Q'TY	MATERTAL	DESCRIPTION	REMARK
②	HOUSING	1	LCP		BLACK
①	CONTACT A	2	PHOSPHOR BRONZE 0.20T	Au PLATED	