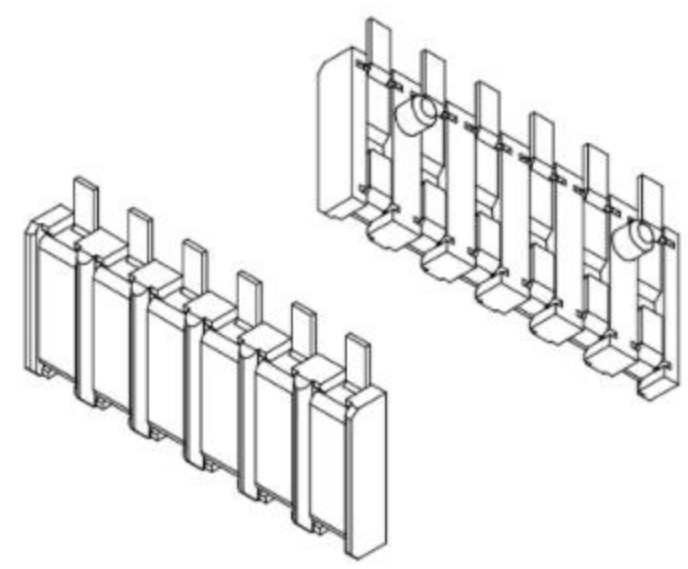
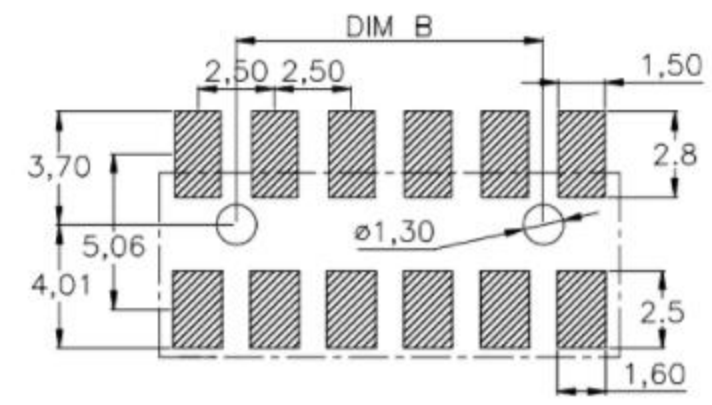
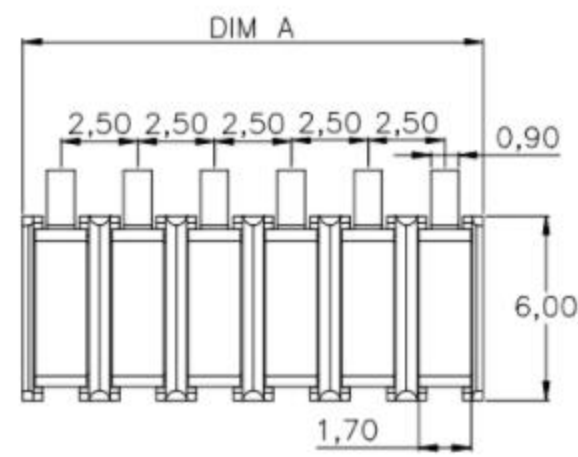
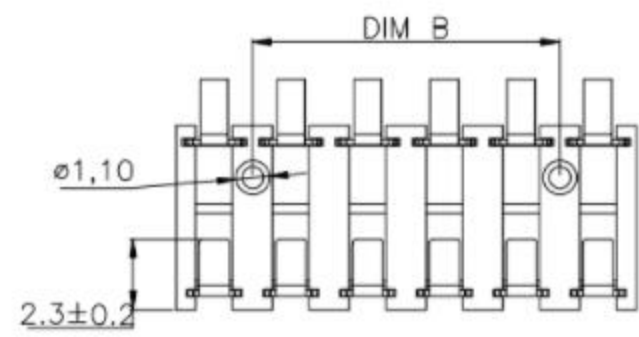
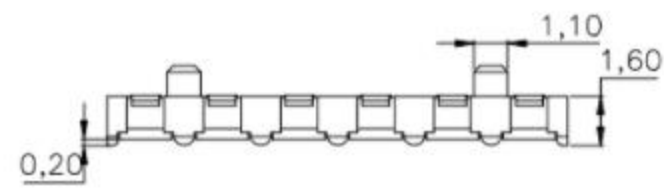
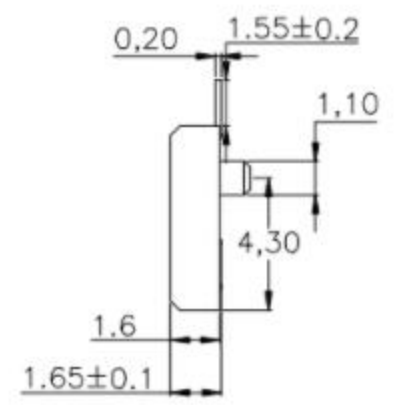


REV.	ECN NO.	DESCRIPTION	DESIGN	DATE
A		INITIAL	Kai	2018.03.29



RECOMMENDED PCB LAYOUT
TOP VIEW (.XX±0.05)



DIM A	DIM B
5.0	
7.5	2.5
10.0	5.0
12.5	7.5
15	10.0



性能:
 额定电流: 2.0A
 额定电压: 12V
 耐电压: 500V
 接触电阻: 30mΩ
 绝缘电阻: 500MΩ
 工作温度: -40℃~+85℃
 塑件(材质): LCP
 接触点(材质): 磷铜, 镀金

东莞市铀高电子制品有限公司

UNLESS OTHERWISE SPECIFIED TOLERANCES				DWG NO.				PART NAME:							
DECIMALS:		ANGLES:		DESIGN:		CHECK:		PART NO.		REV.		UNIT:		SHEET:	
DIM	TOL	DIM	TOL					A	mm	1/1					
X	±0.50	X	±2°												
X.X	±0.30	X.X	±1°												
X.XX	±0.20	X.XX													
X.XXX	±0.10	X.XXX													

ITEM	PART NAME	Q'TY	MATERIAL	DESCRIPTION	REMARK
②	HOUSING	1	LCP		BLACK
①	CONTACT A	2	PHOSPHOR BRONZE 0.20T	Au PLATED	