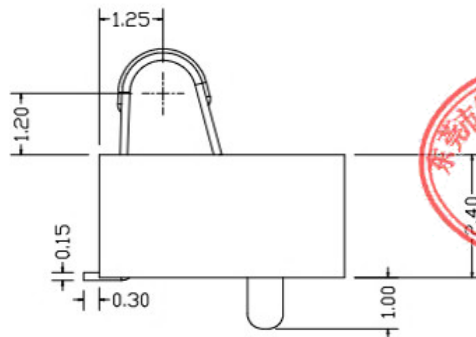
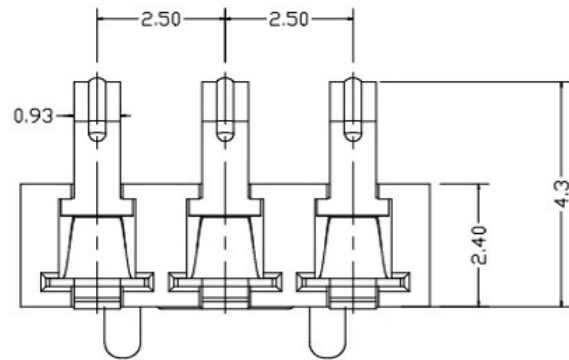
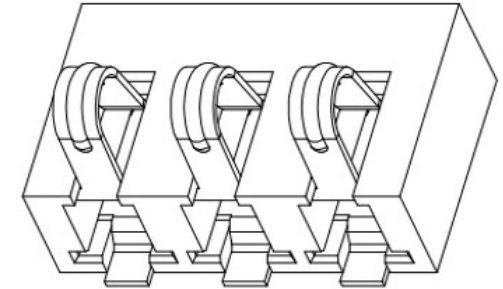
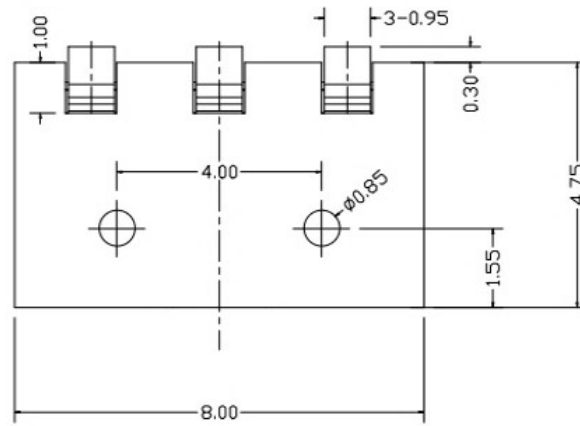
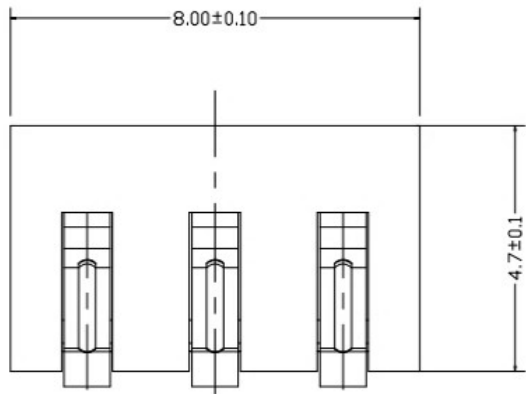


REV.	ECN NO.	DESCRIPTION	DESIGN	DATE
A		INITIAL	Koi	2018.03.29



性能:

额定电流: 2.0A

额定电压: 12V

耐电压: 500V

接触电阻: 30mΩ

绝缘电阻: 500MΩ

工作温度: -40℃~+85℃

塑件(材质): LCP

接触点(材质): 磷铜, 镀金

UNLESS OTHERWISE SPECIFIED TOLERANCES

东莞市铀高电子制品有限公司

DECIMALS:		ANGLES:	
DIM	TOL	DIM	TOL
X.	±0.50	X.	±2°
X.X	±0.30	X.X	±1°
X.XX	±0.20	X.XX	----
X.XXX	±0.10	X.XXX	----

DWG NO.	PART NAME:
DESIGN:	PART NO.
CHECK:	REV. A
APPROVED	UNIT: mm
	SHEET: 1/1

②	HOUSING	1	LCP		BLACK
①	CONTACT A	2	PHOSPHOR BRONZE 0.20T	Au PLATED	
ITEM	PART NAME	Q'TY	MATERTAL	DESCRIPTION	REMARK