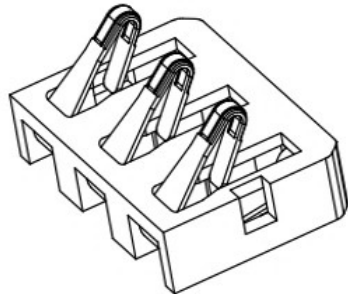
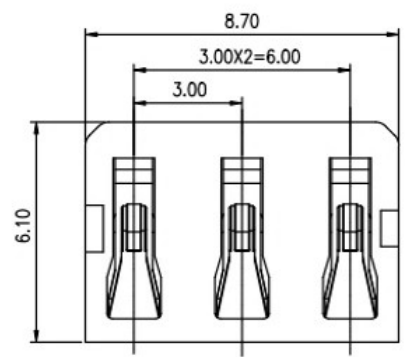
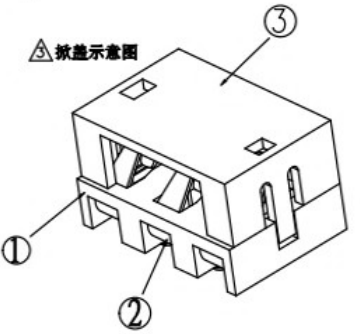
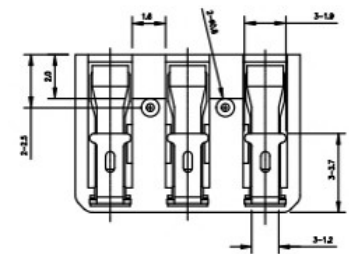
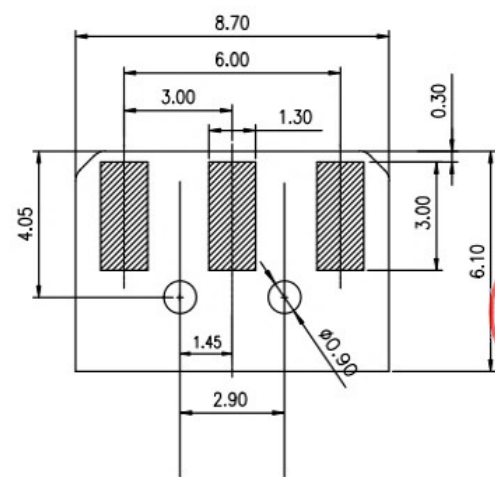
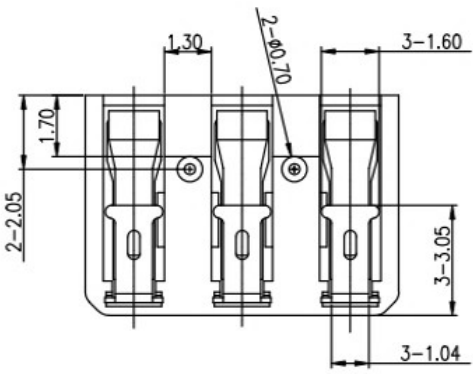
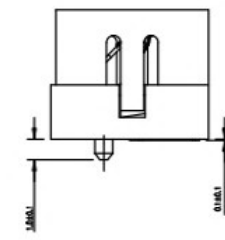
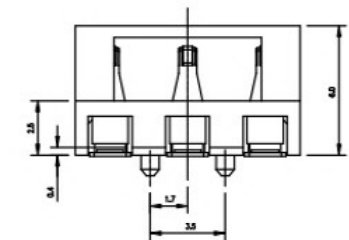
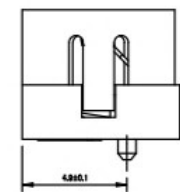
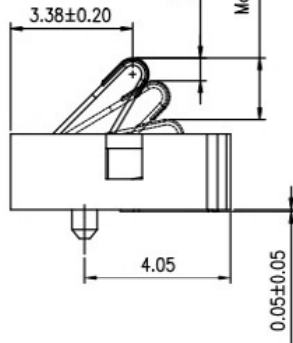
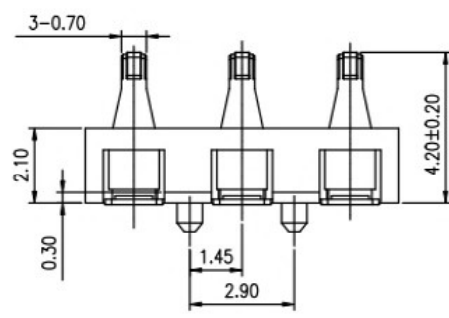
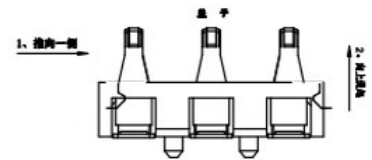
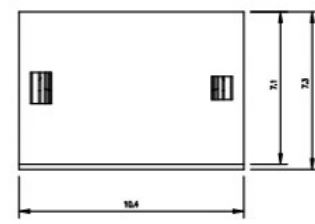


REV.	ECN NO.	DESCRIPTION	DESIGN	DATE
A		INITIAL	Koi	2018.03.29



Normal Displacement 1.20mm
Max Displacement 1.70mm



△ 拆盖示意图



1. 包装方式: TAPE REEL
2. 盖子取拿方法: 先将盖子推向成品的一侧, 再向产品的上方提起(如上图)。否则将破坏产品的SMT脚。

UNLESS OTHERWISE SPECIFIED TOLERANCES		东莞市铀高电子制品有限公司			
DECIMALS:		ANGLES:		DWG NO.	PART NAME:
DIM TOL		DIM TOL		DESIGN:	PART NO.
X.	±0.50	X.	±2°	CHECK:	REV.
X.X	±0.30	X.X	±1°	APPROVED	UNIT: mm
X.XX	±0.20	X.XX	---		SHEET: 1/1
X.XXX	±0.10	X.XXX	---		

②	HOUSING	1	LCP		BLACK
①	CONTACT A	2	PHOSPHOR BRONZE 0.20T	Au PLATED	
ITEM	PART NAME	Q'TY	MATERTAL	DESCRIPTION	REMARK