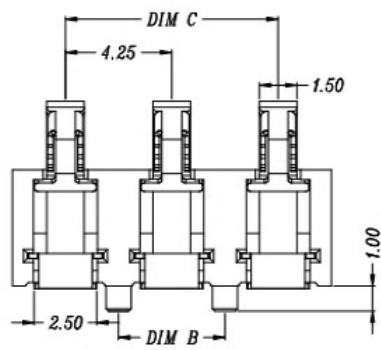
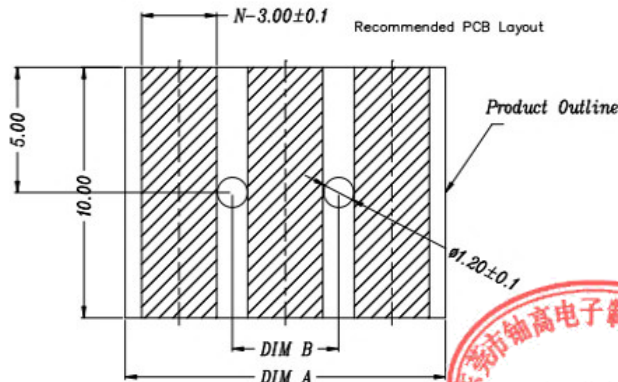
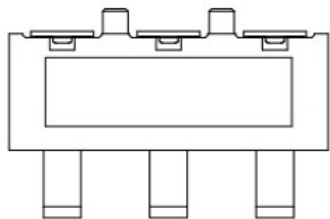
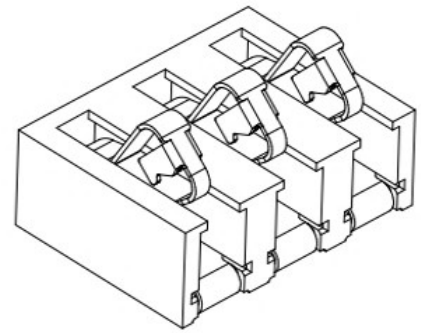
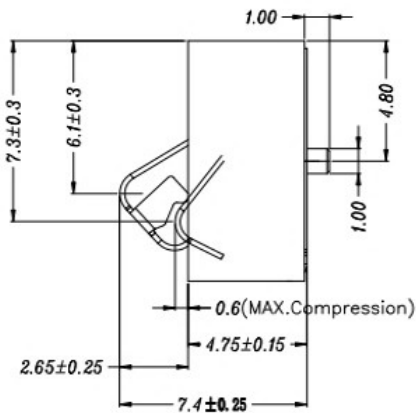
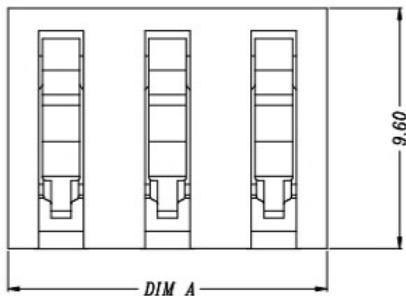


REV.	ECN NO.	DESCRIPTION	DESIGN	DATE
A		INITIAL	Kai	2018.03.29



性能:
 额定电流: 3.0A
 额定电压: 24V
 耐电压: 500V
 接触电阻: 30mΩ MAX
 绝缘电阻: 500MΩ
 工作温度: -40℃~+85℃
 塑件(材质): LCP, 耐高温260℃
 接触点(材质): 铜合金, 触点镀金3U'

PIN(N)	DIM A	DIM B	DIM C
3Pin	12.75	4.25	8.5
4Pin	17.0	8.5	12.75
5Pin	21.25	12.75	17.0
6Pin	25.5	17.0	21.25

UNLESS OTHERWISE SPECIFIED TOLERANCES				东莞市铀高电子制品有限公司			
DECIMALS:		ANGLES:		DWG NO.	PART NAME:		
				DESIGN:	PART NO.		
				CHECK:	REV. UNIT: SHEET:		
DIM	TOL	DIM	TOL	APPROVED	A	mm	1/1
X.	±0.50	X.	±2°				
X.X	±0.30	X.X	±1°				
X.XX	±0.20	X.XX	----				
X.XXX	±0.10	X.XXX	----				

ITEM	PART NAME	Q'TY	MATERTAL	DESCRIPTION	REMARK
②	HOUSING	1	LCP		BLACK
①	CONTACT A	2	PHOSPHOR BRONZE 0.20T	Au PLATED	