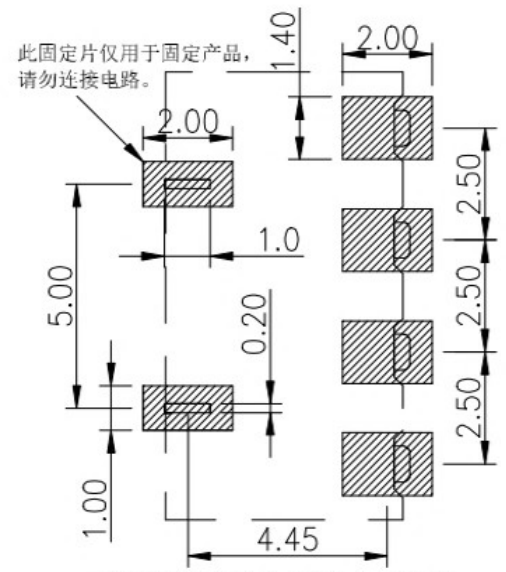
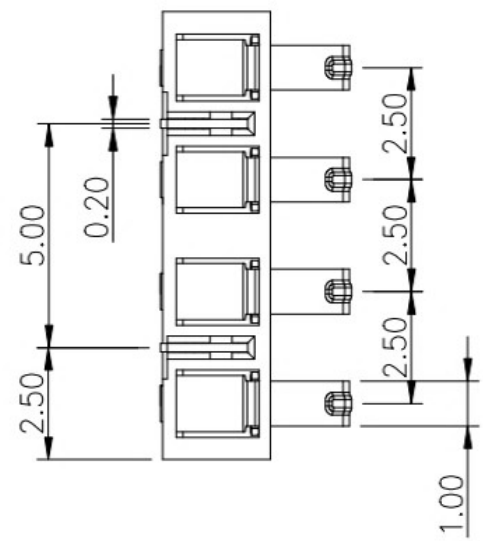
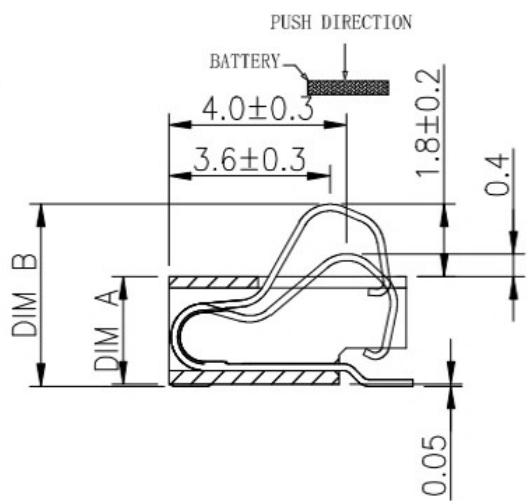
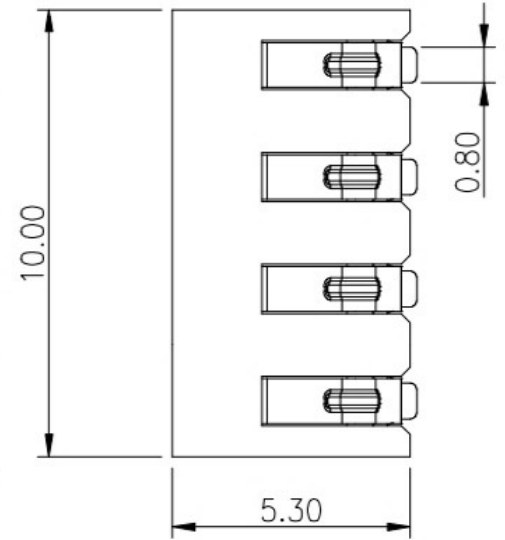


REV.	ECN NO.	DESCRIPTION	DESIGN	DATE
A		INITIAL	Kai	2018.03.29



RECOMMENDED PCB LAYOUT
TOP VIEW (. XX ± 0.05)



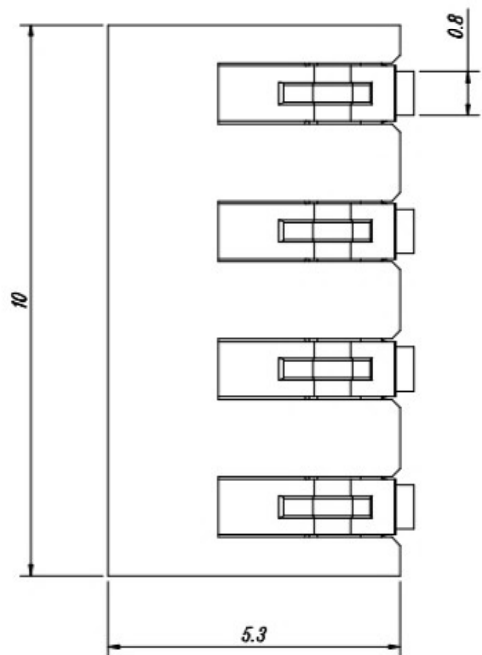
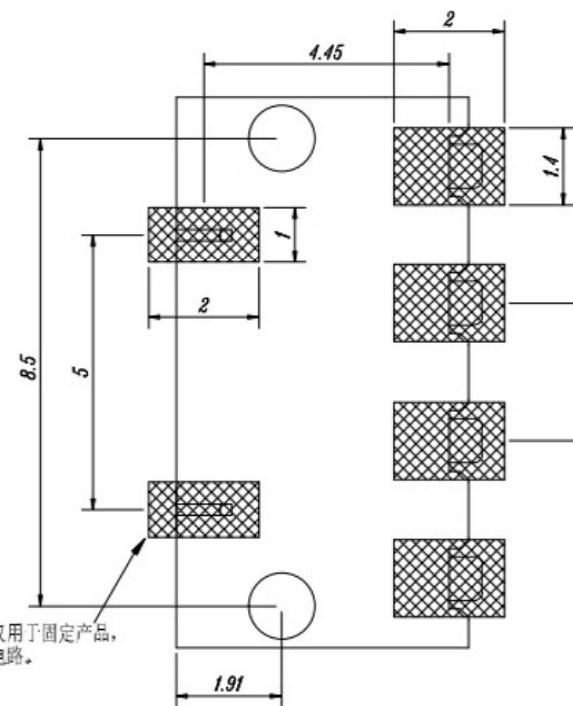
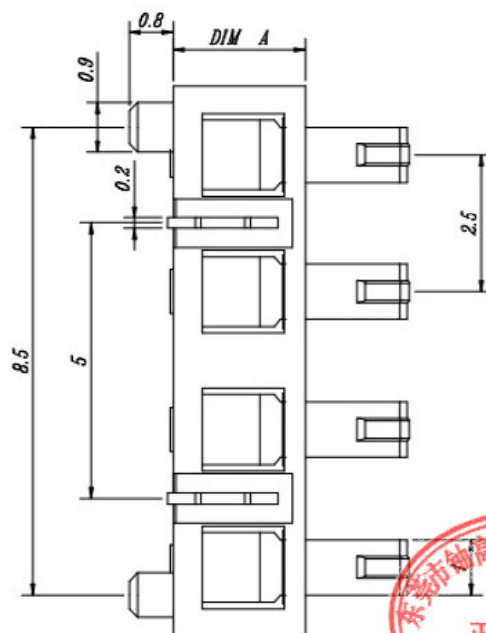
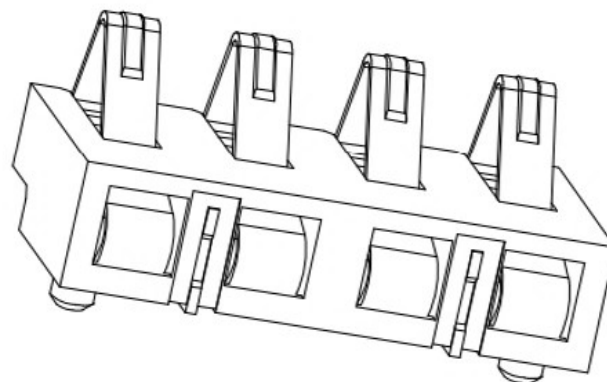
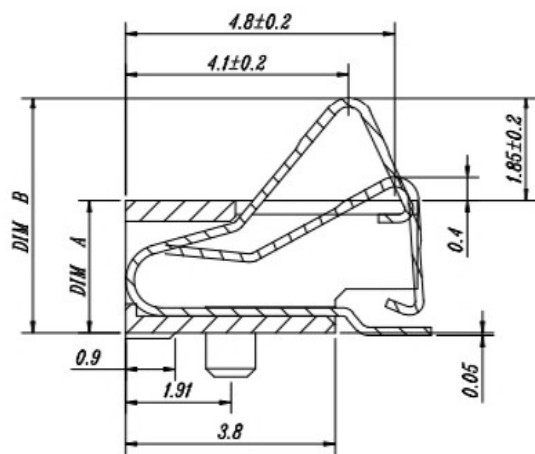
DIM A	DIM B
2.4	4.20 ± 0.2
3.0	4.80 ± 0.2
3.5	5.30 ± 0.2

性能:
 额定电流: 3.0A
 额定电压: 24V
 耐电压: 500V
 接触电阻: 30mΩ MAX
 绝缘电阻: 500MΩ
 工作温度: -40℃ ~ +85℃
 零件 (材质): LCP, 耐高温260℃
 接触点 (材质): 铜合金, 触点镀金3U'



UNLESS OTHERWISE SPECIFIED TOLERANCES		东莞市铀高电子制品有限公司			
DECIMALS:		ANGLES:		DWG NO.	PART NAME:
DIM	TOL	DIM	TOL	DESIGN:	PART NO.
X.	±0.50	X.	±2'	CHECK:	
X.X	±0.30	X.X	±1'	APPROVED	
X.XX	±0.20	X.XX	----	REV.	UNIT: mm
X.XXX	±0.10	X.XXX	----	A	SHEET: 1/1

ITEM	PART NAME	Q'TY	MATERIAL	DESCRIPTION	REMARK
②	HOUSING	1	LCP		BLACK
①	CONTACT A	2	PHOSPHOR BRONZE 0.20T	Au PLATED	



此图文件仅用于固定产品，
请勿直接接电路。

RECOMMENDED PCB LAYOUT

PART NO.	DIM A	DIM B					
BC-1-420	2.4	4.3	2	HOUSING	LCP	1	BLAC
BC-1-420A	3.0	4.9	1	CONTACT TERMINAL	PHOSPHOR BRONZE	3	Au PL
BC-1-420B	3.5	5.4	NO.	PARTS	MATERIAL	QTY.	FINISH