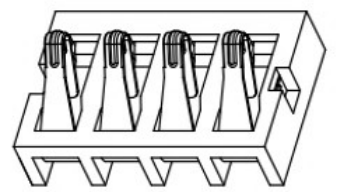
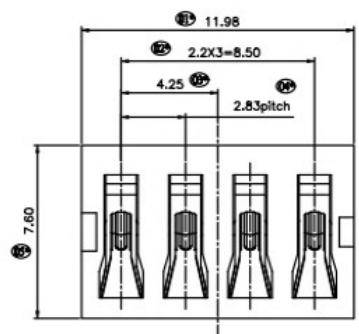
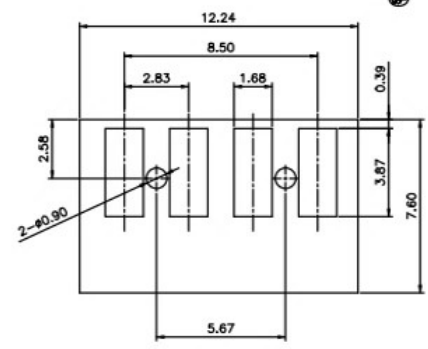
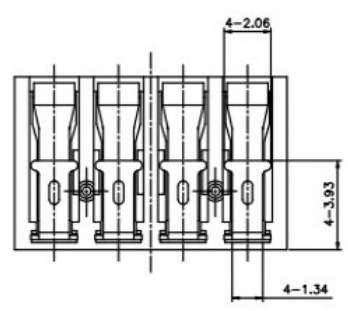
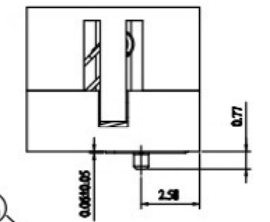
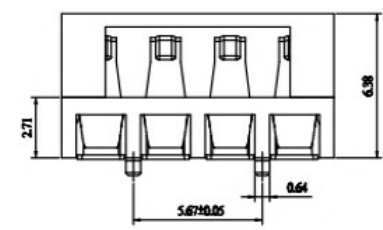
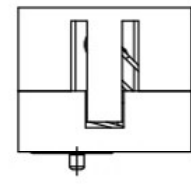
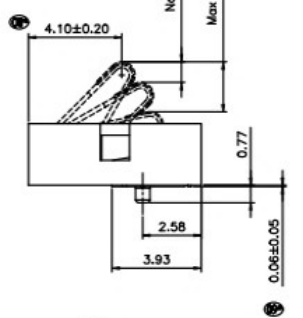
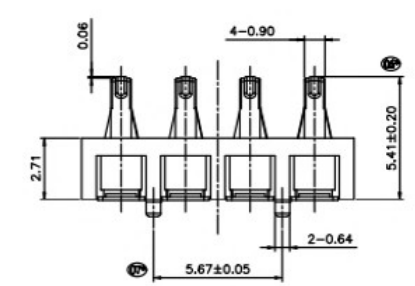
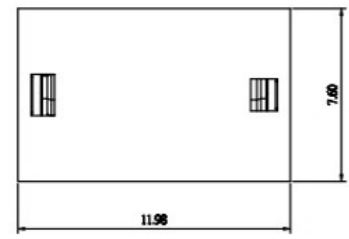


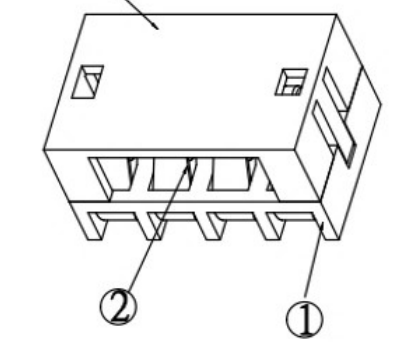
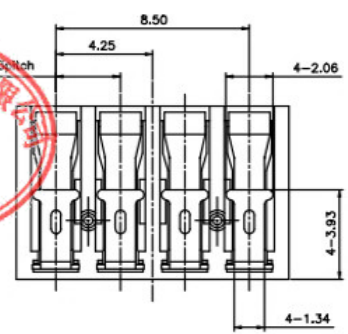
REV.	ECN NO.	DESCRIPTION	DESIGN	DATE
A		INITIAL	Koi	2018.03.29



Normal Displacement 0.90mm
Max. Displacement 2.19mm



RECOMMENDED PC BOARD LAYOUT
TOLERANCE: ±0.05[TOP VIEW]



②	HOUSING	1	LCP		BLACK
①	CONTACT A	2	PHOSPHOR BRONZE 0.20T	Au PLATED	
ITEM	PART NAME	Q'TY	MATERTAL	DESCRIPTION	REMARK

UNLESS OTHERWISE SPECIFIED TOLERANCES		东莞市铀高电子制品有限公司			
DECIMALS:		ANGLES:		DWG NO.	PART NAME:
DIM	TOL	DIM	TOL	DESIGN:	PART NO.
X.	±0.50	X.	±2'	CHECK:	
X.X	±0.30	X.X	±1'	APPROVED	
X.XX	±0.20	X.XX			
X.XXX	±0.10	X.XXX			
		REV.	UNIT:	SHEET:	
		A	mm	1/1	