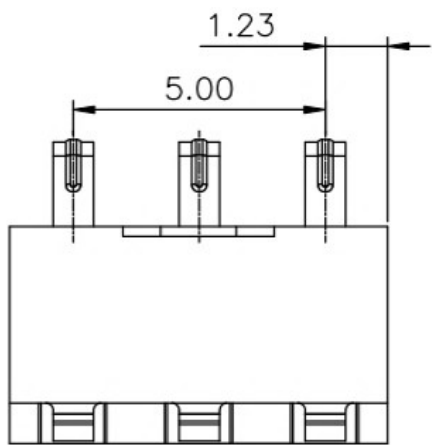


**RECOMMENDED PCB LAYOUT**  
**TOP VIEW (.XX±0.05)**



PART NO.	DIM A	DIM B						
BC-2-203	5.4	4.2						
BC-2-203A	6.0	4.7	2	HOUSING	LCP	1	BLACK	
BC-2-203B	7.0	5.6	1	CONTACT TERMINAL	PHOSPHOR BRONZE	3	Au PLATED	
BC-2-203C	8.0	6.7	NO.	PARTS	MATERIAL	QTY.	FINISHING	

东莞市铀高电子制品有限公司

PART NAME	CONNECTOR	DRAWING	G.B.Wu	DWG.No.	DS-BC-121
PART NO.	BC-2-203/203A/203B/203C	CHECK	Q.L.Dai	REV.	A0