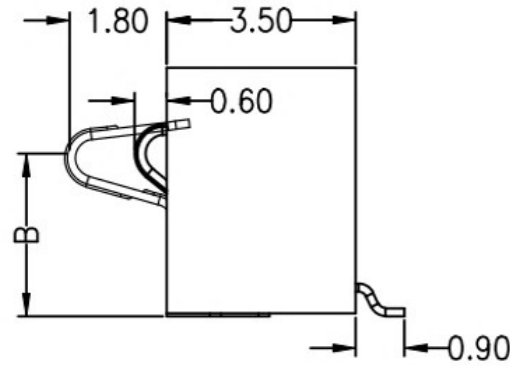
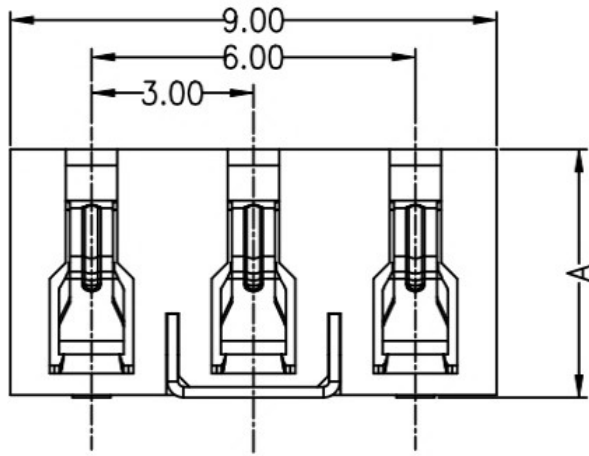
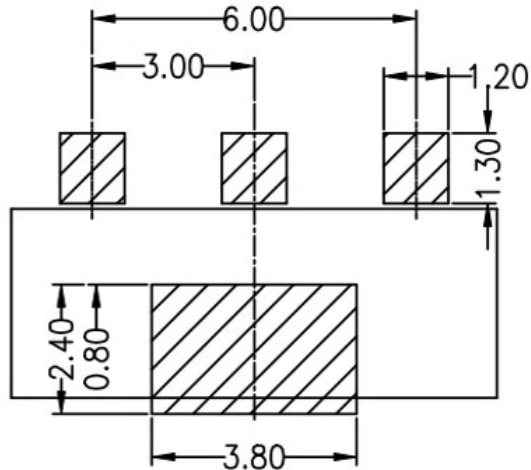


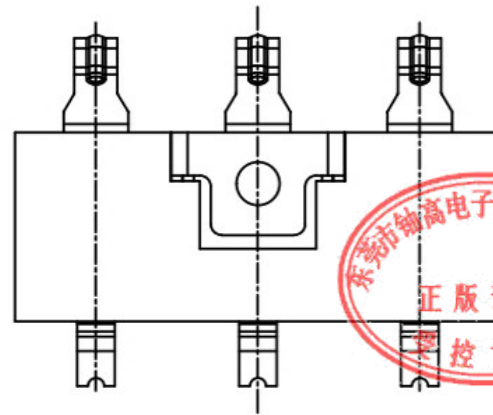
REV.	ECN NO.	DESCRIPTION	DESIGN	DATE
A		INITIAL	Kai	2018.03.29



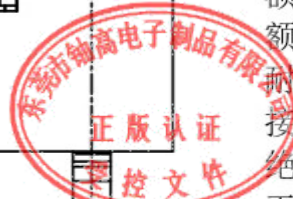
A	B
4.60	3.00
5.00	3.40
5.40	3.80
6.00	4.40
6.80	5.20
7.20	5.60



RECOMMENDED PCB LAYOUT
TOL:(±0.05)



性能:
 额定电流: 3.0A
 额定电压: 24V
 耐压: 500V
 接触电阻: 30mΩ MAX
 绝缘电阻: 500MΩ
 工作温度: -40℃~+85℃
 塑件(材质): LCP, 耐高温260℃
 接触点(材质): 铜合金, 触点镀金3U'



UNLESS OTHERWISE SPECIFIED TOLERANCES

东莞市铀高电子制品有限公司

DECIMALS:		ANGLES:	
DIM	TOL	DIM	TOL
X.	±0.50	X.	±2°
X.X	±0.30	X.X	±1°
X.XX	±0.20	X.XX	----
X.XXX	±0.10	X.XXX	----

DWG NO.	
DESIGN:	
CHECK:	
APPROVED	

PART NAME:		PART NO.	
REV.	UNIT:	SHEET:	
A	mm	1/1	

ITEM	PART NAME	Q'TY	MATERIAL	DESCRIPTION	REMARK
②	HOUSING	1	LCP		BLACK
①	CONTACT A	2	PHOSPHOR BRONZE 0.20T	Au PLATED	