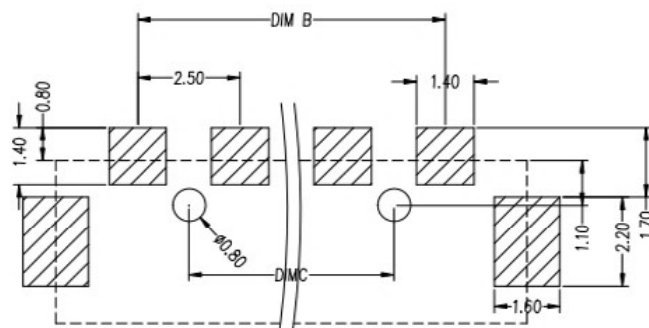
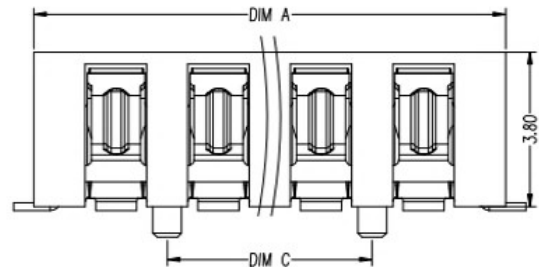
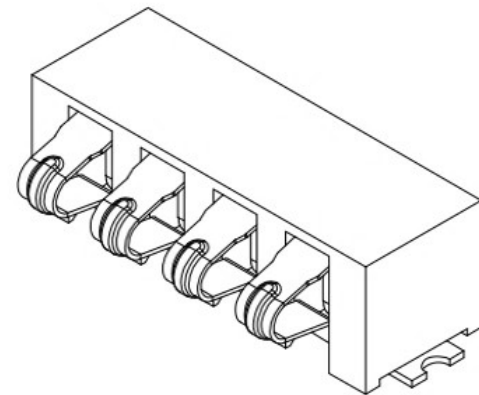
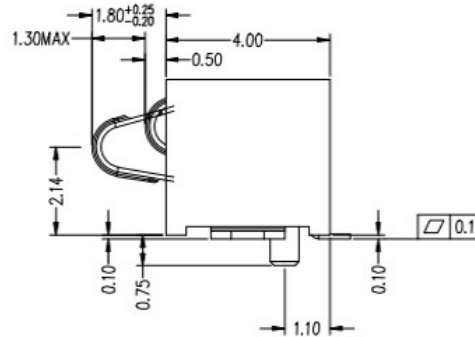
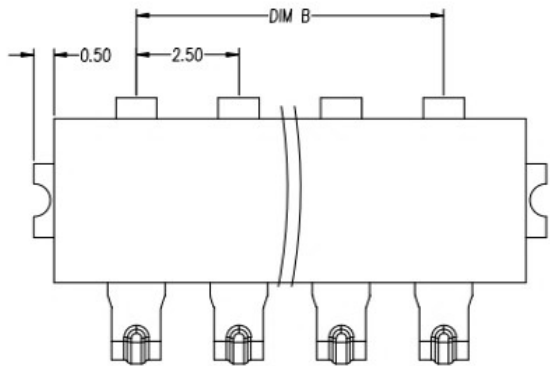
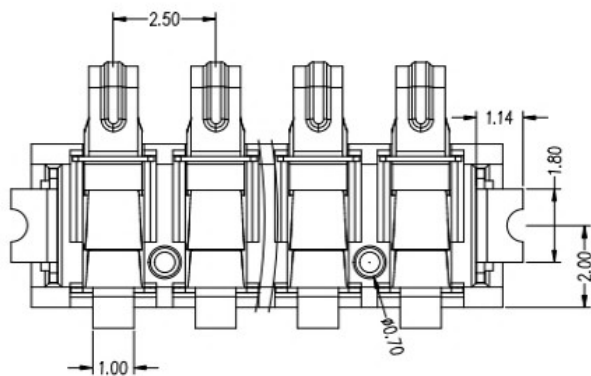


| | | | | |
|------|---------|-------------|--------|------------|
| REV. | ECN NO. | DESCRIPTION | DESIGN | DATE |
| A | | INITIAL | Kai | 2018.03.29 |



RECOMMENDED PCB LAYOUT
TOL:(±0.05)



| DIM A | DIM B | DIM C |
|-------|-------|-------|
| 9.0 | 5.0 | 2.5 |
| 11.5 | 7.5 | 5.0 |
| 14.0 | 10.0 | 7.5 |
| 16.5 | 12.5 | 10.0 |



性能:
 额定电流: 3.0A
 额定电压: 24V
 耐电压: 500V
 接触电阻: 30mΩ MAX
 绝缘电阻: 500MΩ
 工作温度: -40℃~+85℃
 塑件(材质): LCP, 耐高温260℃
 接触点(材质): 铜合金, 触点镀金3U'

| | | | | | | | |
|---------------------------------------|--|----------|--|---------------|------------|--------|---|
| UNLESS OTHERWISE SPECIFIED TOLERANCES | | | | 东莞市铀高电子制品有限公司 | | | |
| DECIMALS: | | ANGLES: | | DWG NO. | PART NAME: | | |
| DESIGN: | | CHECK: | | PART NO. | | | |
| APPROVED | | APPROVED | | REV. | UNIT: | SHEET: | ④ |
| A | | mm | | 1/1 | | | |

| ITEM | PART NAME | Q'TY | MATERIAL | DESCRIPTION | REMARK |
|------|-----------|------|-----------------------|-------------|--------|
| ② | HOUSING | 1 | LCP | | BLACK |
| ① | CONTACT A | 2 | PHOSPHOR BRONZE 0.20T | Au PLATED | |