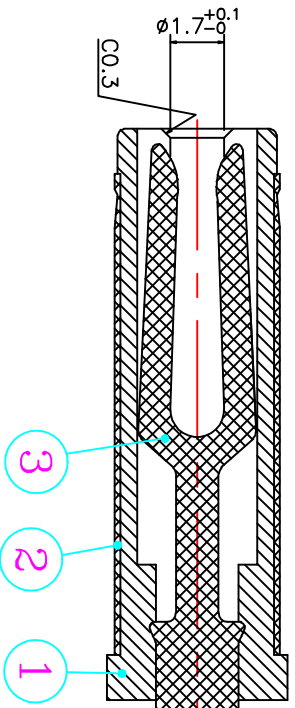
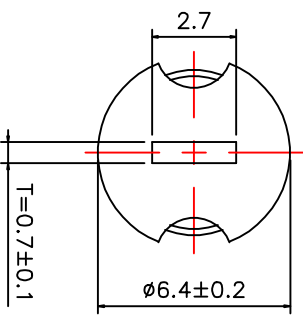
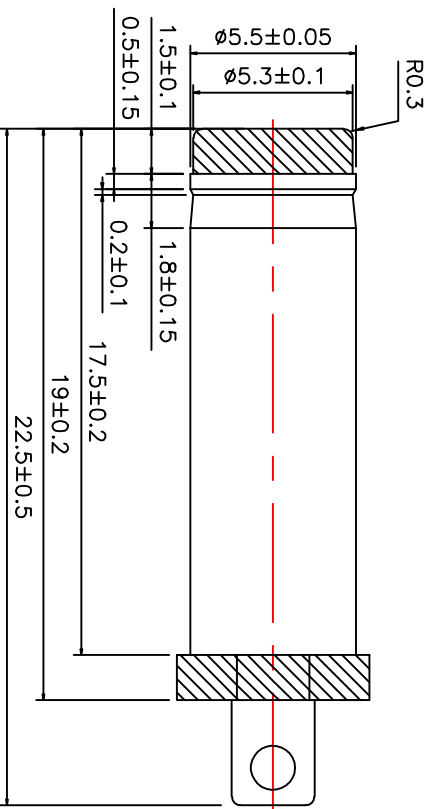
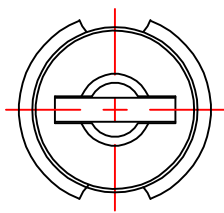


ROHS



Technology Request:
 1.Outlook:No burr, no hurt.
 2.Electronic performance:
 a.insulation resistance: Above DC500V/100MΩ;
 b:Endure voltage:AC500V at 1 minute;
 c:Contact resistance:Under 30mΩ;
 3.Insertion force & withdrawal force:0.3-3kgf.
 4.Salt spray test:24H.
 5.Meet RoHS.
 6.Remark * is important specification.

REV	修正描述 REV.LTR	修正前 BEFORE REVISION	修正后 AFTER REVISION	签名 SIGN	日期 DATE
V1.0		新版制定		June	20180917

单位 Unit	mm	一般公差 The general tolerance
比例 Scale	5:1	XX:±0.3
视图 Third angle projection		X:X:±0.1
		.XX:±0.05

NO.	1	5S17*22管壳片 黄铜	H62	Ni 1-3um
	2	5.48*16套管	H65	Ni 1-3um
	1	PLASTIC	PBT	BLACK
		PART	MATERIAL	PLATING

批准 APPROVED BY	杨义邦	制图 DRAWN BY	李莹峰
检查 CHECKED BY	李莹峰		
日期	June		

规格 DESCRIPTION:		DC PLUG 5.5*1.7*22.5
品名 P/N:	5S17TV22SYE-HTP	
图号 DRAWN NO:	CP-01-0008	

东莞市铨高电子有限公司

1 2 3 4 5 6 7 8 9