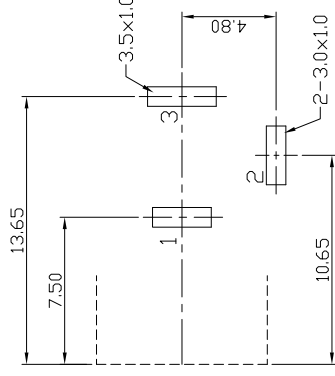
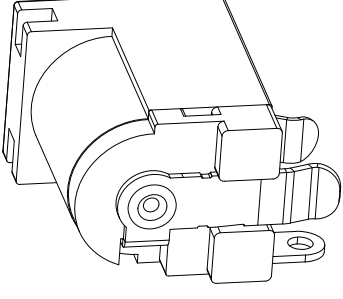
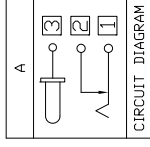
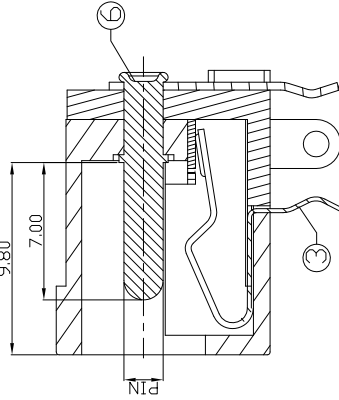
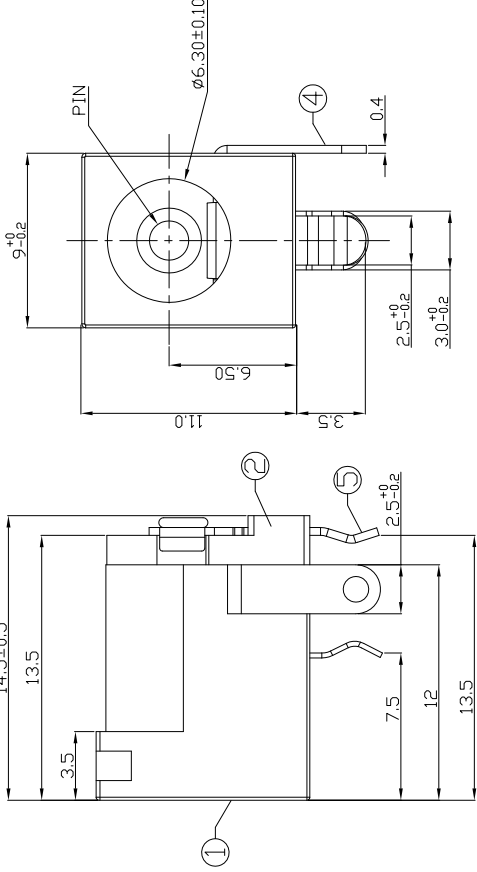


RoHS
Compliant
2002/95/EC

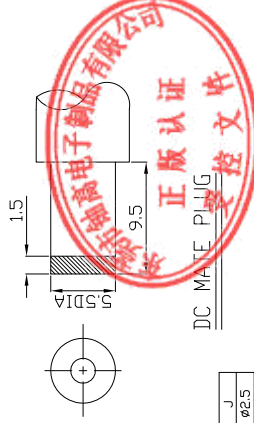


PCB. 焊接图

PCB. WELDING DRAWING



| | | | |
|-------------|-------|------|------|
| Model No. | G | H | J |
| CENTER. PIN | ø1.65 | ø2.0 | ø2.5 |



主要技术参数、性能

| | |
|---------|------------|
| 额定电流、电压 | 1A DC30V |
| 接触电阻 | ≤ 50mΩ |
| 绝缘电阻 | ≥ 100MΩ |
| 耐电压 | 500VAC |
| 插拔力 | 3-30N |
| 寿命 | 5000次 |
| 温度范围 | -20°C~70°C |
| 湿度范围 | -40°C~85°C |

| | | | | |
|---|--|---------------|--------------|---------------|
| 7 | 绘图 | 杨瑛平 | 产品名称 | DC JACK |
| 6 | 审核 | 郑金钰 | 产品型号 | YG-DCSO-203EA |
| 5 | 批准 | 林进生 | 日期 | 2023.05.19 |
| 4 | SHEET | 1:1 UNIT | mm | |
| 3 | THESE DRAWINGS AND SPECIFICATIONS ARE THE PROPERTY OF ACCURATE INNOTECH INC. AND SHALL NOT BE REPRODUCED OR USED IN ANY MANNER WITHOUT THE PRIOR WRITTEN CONSENT OF ACCURATE INNOTECH INC. | | | |
| 2 | 数量 | 1 | 表面处理/颜色 | Black |
| 1 | 名称 | BRASS | Tin 100U"Min | ±0.10 |
| | | BRASS | U"MinNi 60 | ±0.25 |
| | | BRASS | Ag 10 μmin | ±0.30 |
| | | BRONZE | Ag 10 μmin | ±3° |
| | | PBT, UL 94V-0 | Black | |
| | | PBT, UL 94V-0 | Black | |
| | 材料 | 数量 | 表面处理/颜色 | |
| | Pin | 1 | Tin 100U"Min | ±0.10 |
| | Flap Foot | 1 | U"MinNi 60 | ±0.25 |
| | Curve Piece | 1 | Ag 10 μmin | ±0.30 |
| | Spring Piece | 1 | Ag 10 μmin | ±3° |
| | Cover | 1 | Black | |
| | Housing | 1 | Black | |
| | 名称 | 数量 | 表面处理/颜色 | |

东莞市铷高电子有限公司