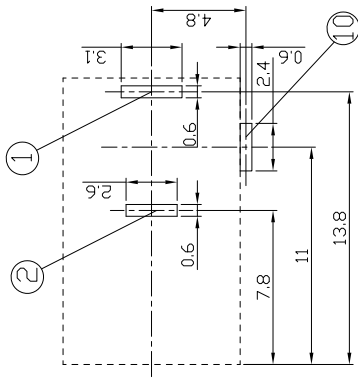


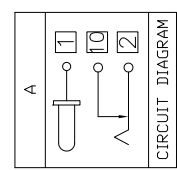
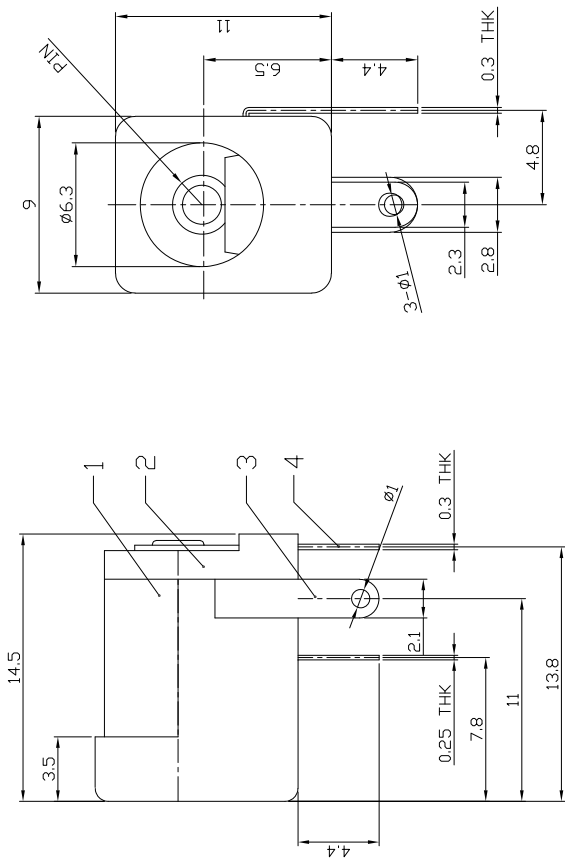
1 2 3 4 5 6 7 8

RoHS Compliant  
2002/95/EC

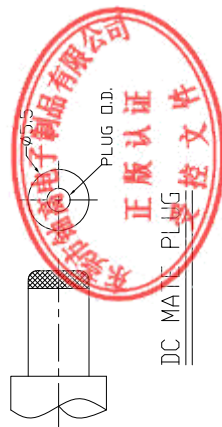


PCB. 焊接图

PCB WELDING DRAWING



Model No.	H	J
CENTER PIN	φ2.0	φ2.5
PLUG O.D.	2.05 <sup>+0.10</sup> <sub>-0.00</sub>	2.55 <sup>+0.10</sup> <sub>-0.00</sub>



主要技术参数、性能

额定电流、电压	0.3A DC30V
接触电阻	≤100mΩ
绝缘电阻	≥100MΩ
耐电压	500VAC
插拔力	3-30N
寿命	5000次
温度范围	-20℃~70℃
湿度范围	-40℃~85℃

6	Plug Pin	Brass	1	Ag Plated	±0.10	杨瑛平	产品名称	DC JACK
5	Spring terminal	SUS/PBS Strip	1	Ag Plated over Ni Plated	±0.25	审核	产品型号	YG-DCJ0-2100A
4	Contact	Brass Strip	1	Ag Plated over Ni Plated	±0.30	批准	日期	2023.05.19
3	Terminal	Brass Strip	1	Ag Plated over Ni Plated	ANGLE ±3°	SHEET	1:1 UNIT	mm
2	Cover	PBT/Nylon	1	Black	THESE DRAWINGS AND SPECIFICATIONS ARE THE PROPERTY OF ACCURATE INNOTECH INC. AND SHALL NOT BE REPRODUCED OR USED IN ANY MANNER WITHOUT THE PRIOR WRITTEN CONSENT OF ACCURATE INNOTECH INC.			
1	Case	PBT/Nylon	1	Black				
项目	名称	材质	数量	表面处理/颜色				

东莞市铨高电子制品有限公司

1 2 3 4 5 6 7 8