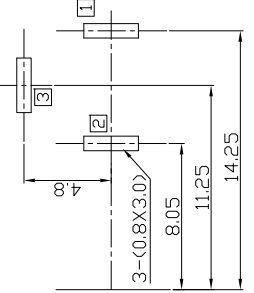
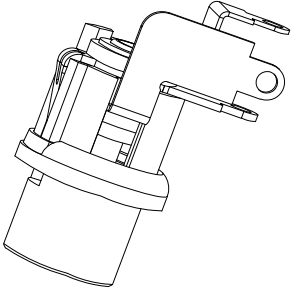
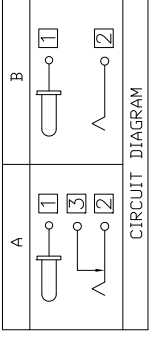
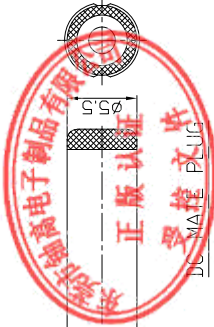
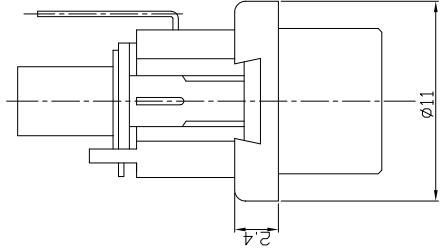
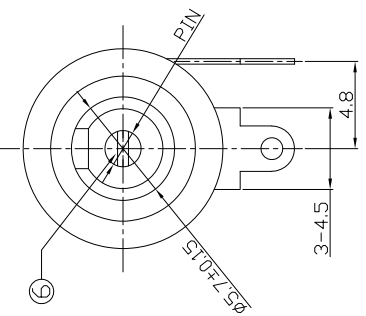


RoHS Compliant  
2002/95/EC



PCB. 焊接图

PCB. WELDING DRAWING



Model No.	H	J
CENTER PIN	$\phi 2.0$	$\phi 2.5$

主要技术参数、性能

额定电流、电压	3A DC30V
接触电阻	$\leq 50m\Omega$
绝缘电阻	$\geq 100M\Omega$
耐电压	500VAC
插拔力	3-30N
寿命	5000次
温度范围	-20 $^{\circ}$ C~70 $^{\circ}$ C
湿度范围	-40 $^{\circ}$ C~85 $^{\circ}$ C

7	Center Pin 1	Phosphor bronze	1	Ni plating	0.5~2	$\pm 0.10$	杨瑛平	产品名称	DC JACK
6	Bushing	BRASS	1	Ni plating	2~5	$\pm 0.25$	郑金钰	产品型号	YG-DCB0-0124A
5	Shunt Terminal 3	Phosphor bronze	1	CuSn plating	5~10	$\pm 0.30$	林进生	日期	2023.05.19
4	Tip Spring 2	Phosphor bronze	1	CuSn plating	ANGLE	$\pm 3^{\circ}$	1:1	UNIT	mm
3	Center Pin Terminal 1	BRASS	1	CuSn plating	THESE DRAWINGS AND SPECIFICATIONS ARE THE PROPERTY OF ACCURATE INNOTECH INC. AND SHALL NOT BE REPRODUCED OR USED IN ANY MANNER WITHOUT THE PRIOR WRITTEN CONSENT OF ACCURATE INNOTECH INC.				
2	Housing	PBT	1	Black	数量				
1	名称	材质	3	表面处理/颜色	表面处理/颜色				

东莞市铨高电子有限公司