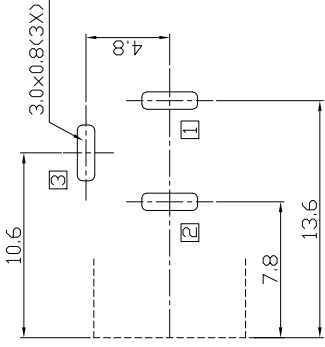
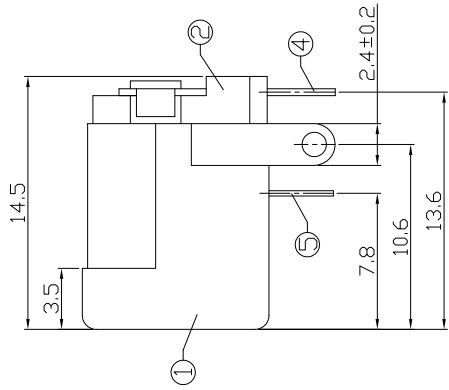


RoHS Compliant
2002/95/EC

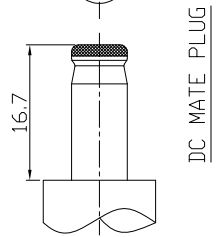


PCB. 焊接图

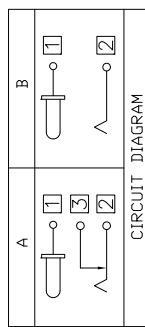
PCB. WELDING DRAWING

主要技术参数、性能

额定电流、电压	3A DC20V
接触电阻	≤ 50mΩ
绝缘电阻	≥ 100MΩ
耐电压	500VAC
插拔力	3-30N
寿命	5000次
温度范围	-20°C~70°C
湿度范围	-40°C~85°C



DC MATE PLUG



CIRCUIT DIAGRAM

7	绘图	杨瑛平	产品名称	DC JACK
6	审核	郑金钰	产品型号	YG-DCB0-505CA
5	批准	林进生	日期	2023.05.19
4	SHEET	1:1 UNIT	mm	
3	THESE DRAWINGS AND SPECIFICATIONS ARE THE PROPERTY OF ACCURATE INNOTECH INC. AND SHALL NOT BE REPRODUCED OR USED IN ANY MANNER WITHOUT THE PRIOR WRITTEN CONSENT OF ACCURATE INNOTECH INC.			
2	一般公差	0.5~2	±0.10	
1	Tin plating	2~5	±0.25	
1	Tin plating	5~10	±0.30	
1	Ni plating	ANGLE	±3°	
1	Black			
1	Customized			
1	表面处理/颜色			
1	数量			
1	材质			
1	名称			
1	Shunt Terminal 3	BRASS t=0.4	1	Tin plating
1	Tip Spring 2	Phosphor bronze t=0.3	1	Tin plating
1	Center Pin Terminal 1	BRASS t=0.4	1	Tin plating
1	Center Pin	Copper Alloy	1	Ni plating
1	Cover	PBT/PA9T	1	Black
1	Housing	PBT/PA9T	1	Customized
1	项目			

东莞市铨高电子有限公司