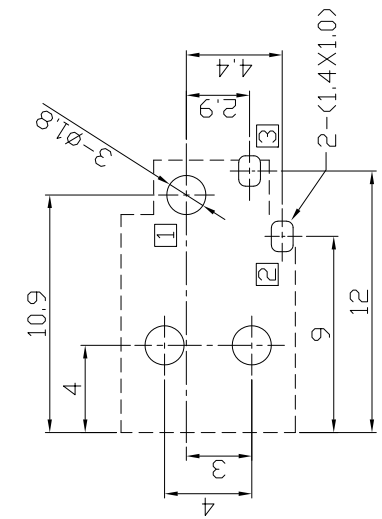


RoHS
Compliant
2002/95/EC

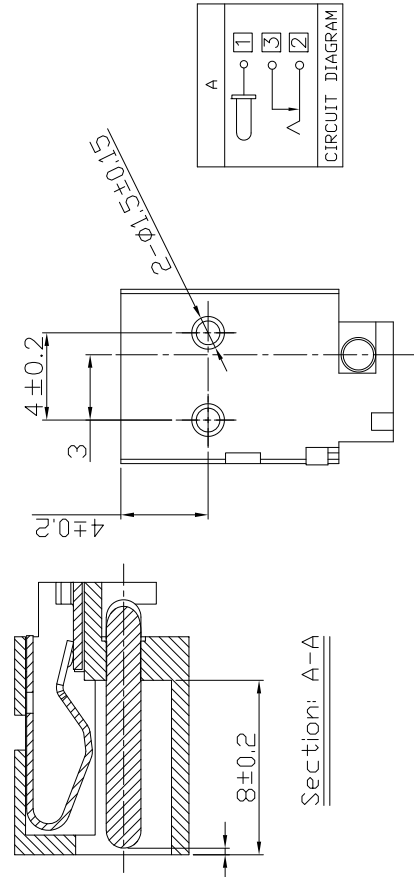
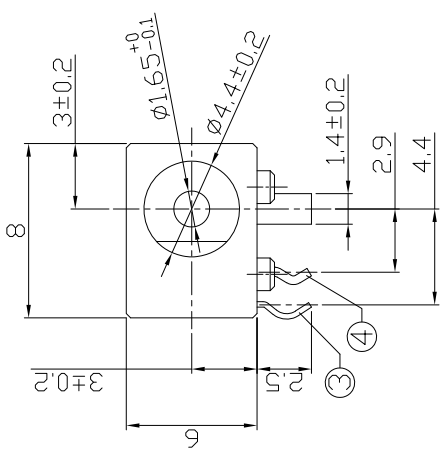


PCB. 焊接图

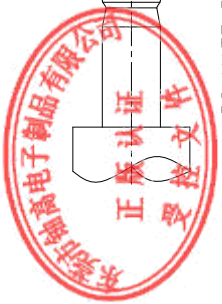
PCB. WELDING DRAWING

主要技术参数、性能

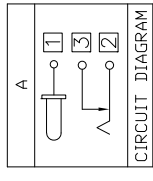
额定电流、电压	3A DC20V
接触电阻	≤ 30mΩ
绝缘电阻	≥ 100MΩ
耐电压	500VAC
插拔力	3-30N
寿命	5000次
温度范围	-20°C~70°C
湿度范围	-40°C~85°C



Section: A-A



DC MATE PLUG



7	一般公差	±0.10	杨瑛平	产品名称	DC JACK
6	0.5~2	±0.10	审核	产品型号	YG-DCB0-0230A
5	2~5	±0.25	批准	日期	2023.05.19
4	5~10	±0.30	SHEET	1:1 UNIT	mm
3	ANGLE	±3°	THESE DRAWINGS AND SPECIFICATIONS ARE THE PROPERTY OF ACCURATE INNOTECH INC. AND SHALL NOT BE REPRODUCED OR USED IN ANY MANNER WITHOUT THE PRIOR WRITTEN CONSENT OF ACCURATE INNOTECH INC.		
2	1	Silver Plating	林进生	DC JACK	
1	数量	表面处理/颜色			
	1	Black			
	1	Phosphor bronze t=0.3			
	1	Copper Alloy			
	1	PBT			
	1	BRASS t=0.4			
	1	Shunt Terminal 3			
	1	Tip Spring 2			
	1	Center Pin 1			
	1	Housing			
	1	名称			

东莞市铨高电子有限公司