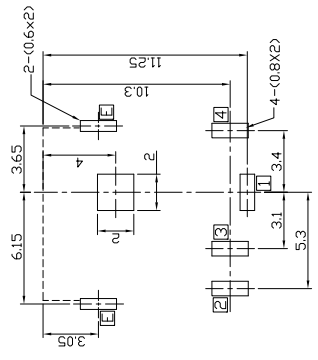
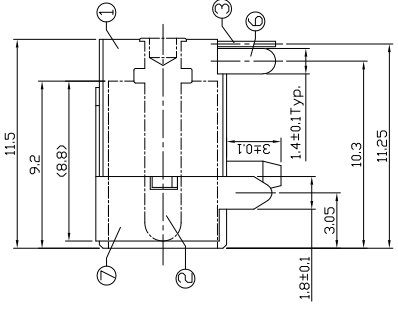


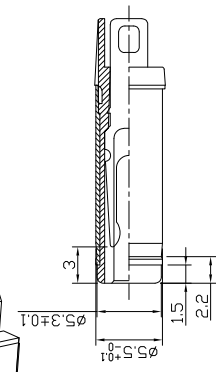
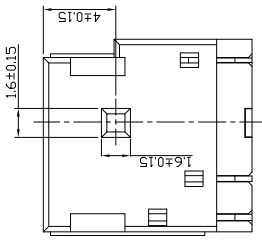
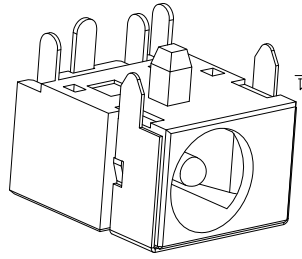
1 2 3 4 5 6 7 8

RoHS Compliant
2002/95/EC

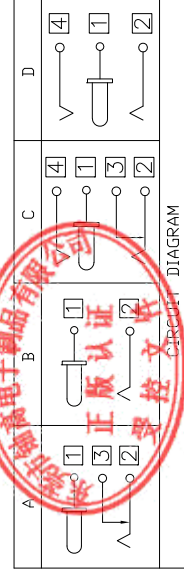


PCB. 焊接图

PCB WELDING DRAWING



DC MATE PLUG



Model No.	G	H	J
CENTER PIN	ø1.65	ø2.0	ø2.5

主要技术参数、性能

额定电流、电压	3A DC25V
接触电阻	≤ 50mΩ
绝缘电阻	≥ 100MΩ
耐电压	500VAC
插拔力	3-30N
寿命	5000次
温度范围	-20℃~70℃
湿度范围	-40℃~85℃

7	Ground shield E	Brass	1	Nickel plating	一般公差	绘图	杨瑛平	产品名称	DC JACK
6	Tip Spring-2 4	Phoshor Bronze	1	Silver plating	±0.10	审核	郑金钰	产品型号	YG-DCB0-044CA
5	Shunt Terminal 3	Brass	1	Silver plating	±0.25	批准	林进生	日期	2023.05.19
4	Tip Spring-1 2	Phoshor Bronze	1	Silver plating	±0.30	SHEET 1:1 UNIT mm			
3	Center Pin Terminal 1	Brass	1	Silver plating	±3°				
2	Center Pin	Copper Alloy	1	Nickel plating		THESE DRAWINGS AND SPECIFICATIONS ARE THE PROPERTY OF ACCURATE INNOTECH INC. AND SHALL NOT BE REPRODUCED OR USED IN ANY MANNER WITHOUT THE PRIOR WRITTEN CONSENT OF ACCURATE INNOTECH INC.			
1	Housing	PBT/PA9T/PA10T	1	Black					
项目	名称	材质	数量	表面处理/颜色					

东莞市铀高电子有限公司

1 2 3 4 5 6 7 8