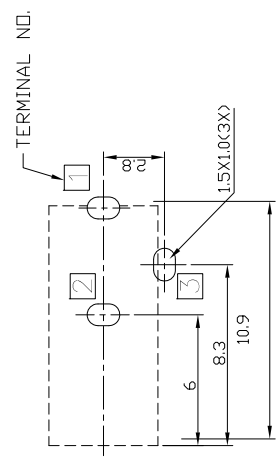
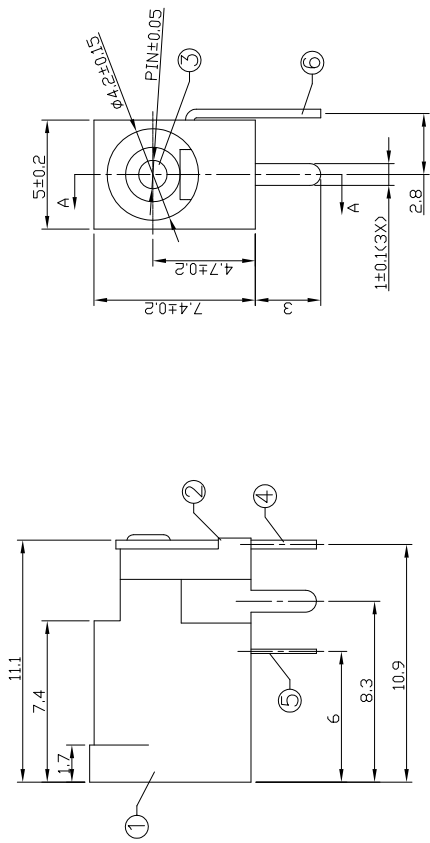


1 2 3 4 5 6 7 8

RoHS
Compliant
2002/95/EC

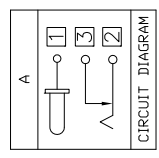
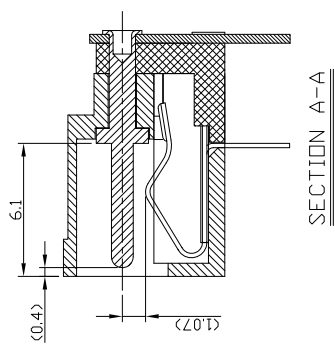


PCB. 焊接图

PCB. WELDING DRAWING

主要技术参数、性能

额定电流、电压	1A DC30V
接触电阻	≤100mΩ
绝缘电阻	≥100MΩ
耐电压	500VAC
插拔力	3-30N
寿命	5000次
温度范围	-20°C~70°C
湿度范围	-40°C~85°C



Model No.	A	C	E
CENTER PIN	Ø0.65	Ø1.0	Ø1.3
DC PLUG O.D.	Ø2.35	Ø3.5	Ø3.5



项目	名称	材料	数量	表面处理/颜色	审核	绘图	杨瑛平	产品名称	DC JACK
6	Shunt terminal 3	Brass t=0.4	1	Silver Plating	0.5~2	±0.10	杨金钰	产品型号	YG-DCB0-0020A
5	Tip spring 2	Stainless steel t=0.2	1	Silver Plating	2~5	±0.25	林进生	日期	2023.05.19
4	Center pin terminal 1	Brass t=0.4	1	Silver Plating	5~10	±0.30	1:1 UNIT	mm	
3	Center pin 1	Copper Alloy	1	Cusn Plating	ANGLE	±3°			
2	Cover	PBT/PA9T	1	Silver Plating	THESE DRAWINGS AND SPECIFICATIONS ARE THE PROPERTY OF ACCURATE INNOTECH INC. AND SHALL NOT BE REPRODUCED OR USED IN ANY MANNER WITHOUT THE PRIOR WRITTEN CONSENT OF ACCURATE INNOTECH INC.				
1	Housing	PBT/PA9T	1	Black					
	名称								

东莞市铨高电子有限公司

1 2 3 4 5 6 7 8