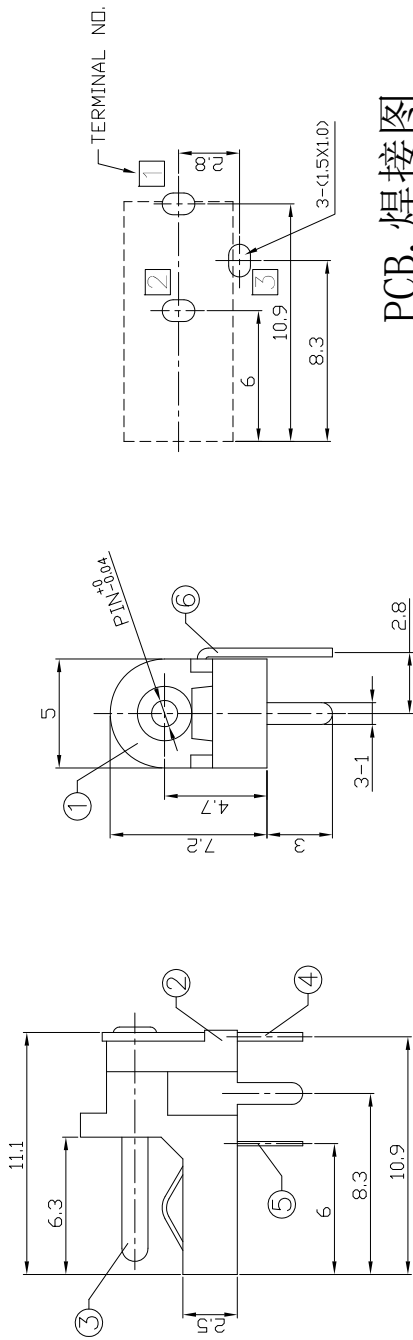


RoHS  
Compliant  
2002/95/EC

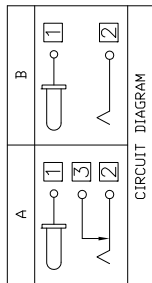


### PCB. 焊接图

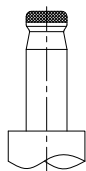
PCB WELDING DRAWING

### 主要技术参数、性能

额定电流、电压	2A DC20V
接触电阻	≤ 80 mΩ
绝缘电阻	≥ 100MΩ
耐电压	500VAC
插拔力	3-30N
寿命	5000次
温度范围	-20°C~70°C
湿度范围	-40°C~85°C



Model No.	A	C	E
CENTER PIN	∅0.65	∅1.0	∅1.3
DC PLUG O.D.	∅2.35	∅3.5	∅3.5



DC MATE PLUG



6	Shunt terminal 3	Brass t=0.4	1	Silver Plating	0.5~2	±0.10	杨瑛平	产品名称	DC JACK
5	Tip spring 2	Stainless steel t=0.2	1	Silver Plating	2~5	±0.25	郑金钰	产品型号	YG-DCB0-0010A
4	Center pin terminal 1	Brass t=0.4	1	Silver Plating	5~10	±0.30	林进生	日期	2023.05.19
3	Center pin 1	Brass	1	Ni/CuSn Plating	ANGLE	±3°	1:1	UNIT	mm
2	Cover	PBT	1		THESE DRAWINGS AND SPECIFICATIONS ARE THE PROPERTY OF ACCURATE INNOTECH INC. AND SHALL NOT BE REPRODUCED OR USED IN ANY MANNER WITHOUT THE PRIOR WRITTEN CONSENT OF ACCURATE INNOTECH INC.				
1	Housing	PBT	1		表面处理/颜色				
项目	名称	材质	数量						

东莞市铷高电子有限公司