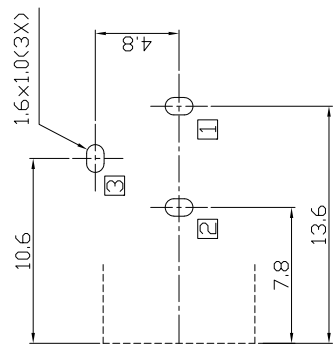


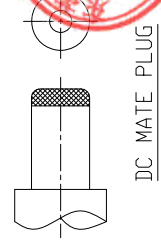
### PCB. 焊接图

PCB WELDING DRAWING

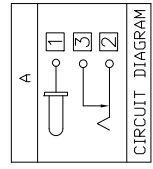


### 主要技术参数、性能

额定电流、电压	4A DC20V
接触电阻	≤ 30mΩ
绝缘电阻	≥ 100MΩ
耐电压	500VAC
插拔力	3-30N
寿命	5000次
温度范围	-20°C~70°C
湿度范围	-40°C~85°C



DC MATE PLUG



CIRCUIT DIAGRAM

Model No.	H	I	J
CENTER PIN	Ø2.0	Ø2.35	Ø2.5

7	Shunt Terminal 3	Brass t=0.4	1	Tin plating	±0.10	杨瑛平	产品名称	DC JACK
6	Tip Spring 2	Phorshor Bronze t=0.3	1	Tin plating	±0.25	郑金钰	产品型号	YG-DCB0-006BA
5	Center Pin Terminal 1	Brass t=0.4	1	Tin plating	±0.30	林进生	日期	2023.05.19
4	Center Pin 1	Copper Alloy	1	CuSn/Nickel plating	±3°	1:1 UNIT	mm	
3	Cover	PBT	1	Black	THESE DRAWINGS AND SPECIFICATIONS ARE THE PROPERTY OF ACCURATE INNOTECH INC. AND SHALL NOT BE REPRODUCED OR USED IN ANY MANNER WITHOUT THE PRIOR WRITTEN CONSENT OF ACCURATE INNOTECH INC.			
2	Housing	PBT	1	Black				
1	项目 名称	数量	3	表面处理/颜色				

东莞市铷高电子有限公司