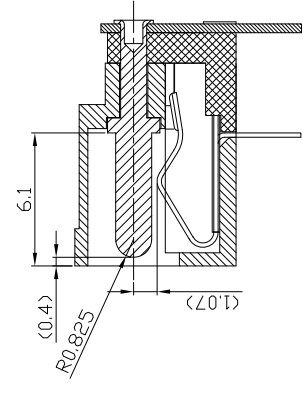
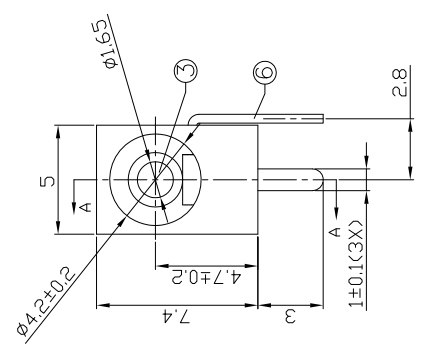
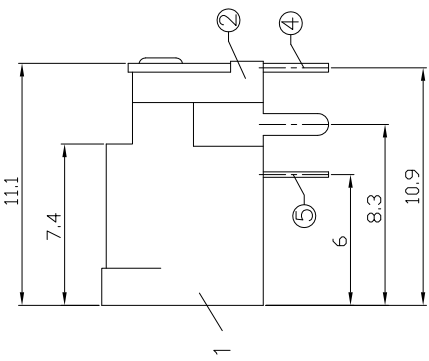
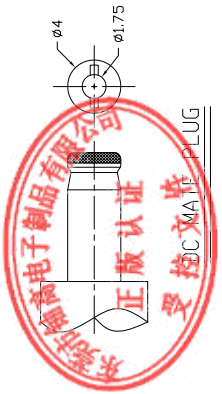
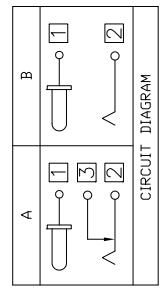
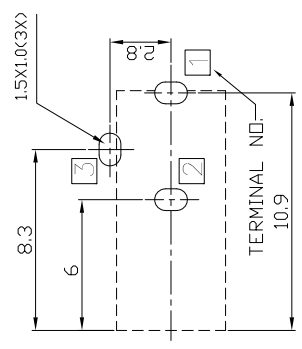


1 2 3 4 5 6 7 8

RoHS Compliant
2002/95/EC



SECTION A-A



主要技术参数、性能

额定电流、电压	2A DC12V
接触电阻	≤ 50mΩ
绝缘电阻	≥ 100MΩ
耐电压	500VAC
插拔力	3-30N
寿命	5000次
温度范围	-20℃~70℃
湿度范围	-40℃~85℃

PCB. 焊接图

PCB. WELDING DRAWING

7	Shunt Terminal 3	BRASS t=0.4	1	Silver Plating	0.5~2	±0.10	杨瑛平	产品名称	DC JACK	
6	Tip Spring 2	SUS 301 t=0.2	1	Silver Plating	2~5	±0.25	审核	产品型号	YG-DCB0-002DA	
5	Center Pin Terminal 1	BRASS t=0.4	1	Silver Plating	5~10	±0.30	批准	日期	2023.05.19	
4	Center Pin 1	BRASS	1	CuSn/Ni Plating	ANGLE	±3°	SHEET	1:1 UNIT	mm	
3	Cover	PBT/PA46 UL 94V-0	1	Black	THESE DRAWINGS AND SPECIFICATIONS ARE THE PROPERTY OF ACCURATE INNOTECH INC. AND SHALL NOT BE REPRODUCED OR USED IN ANY MANNER WITHOUT THE PRIOR WRITTEN CONSENT OF ACCURATE INNOTECH INC.					
2	Housing	PBT/PA46 UL 94V-0	1	Black						
1	项目	名称	数量	表面处理/颜色						

东莞市铷高电子有限公司

1 2 3 4 5 6 7 8