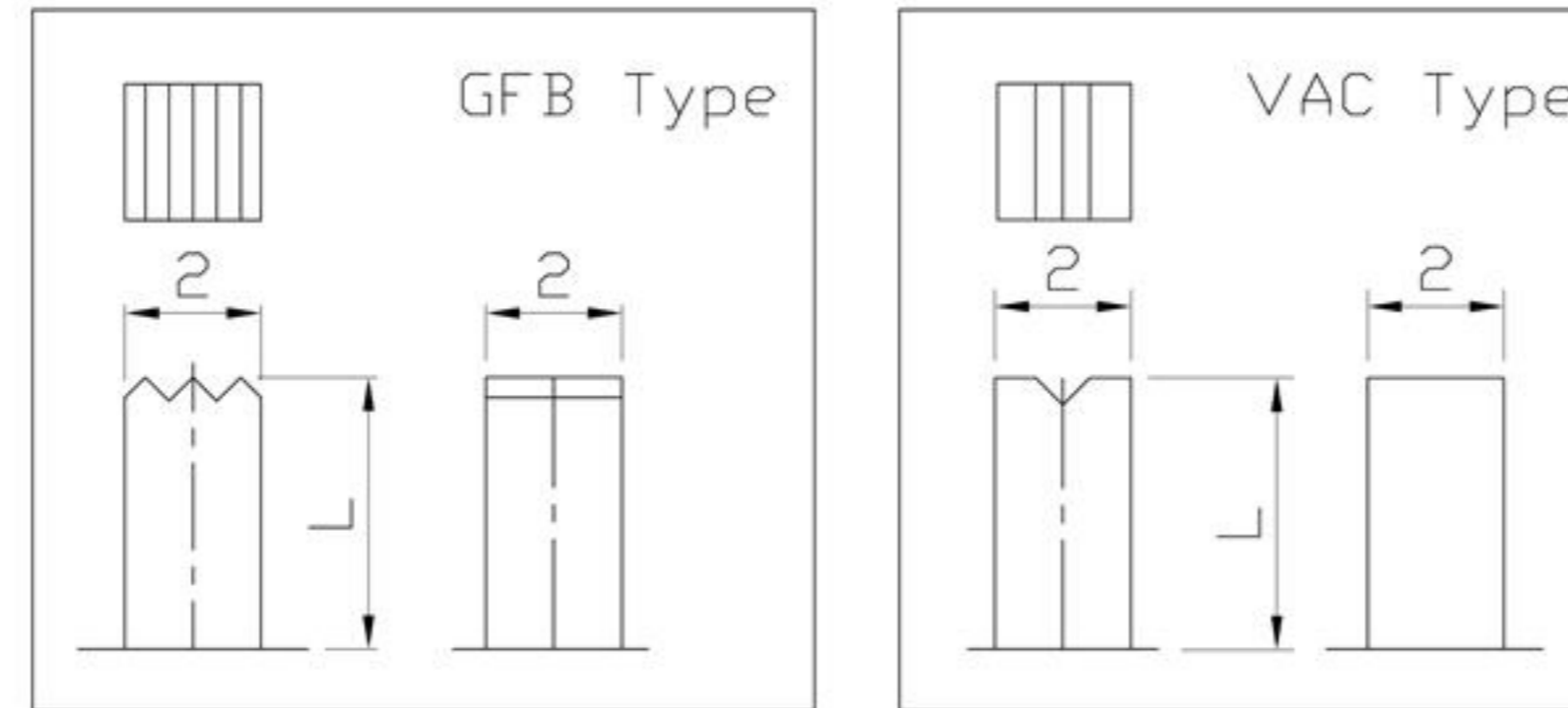
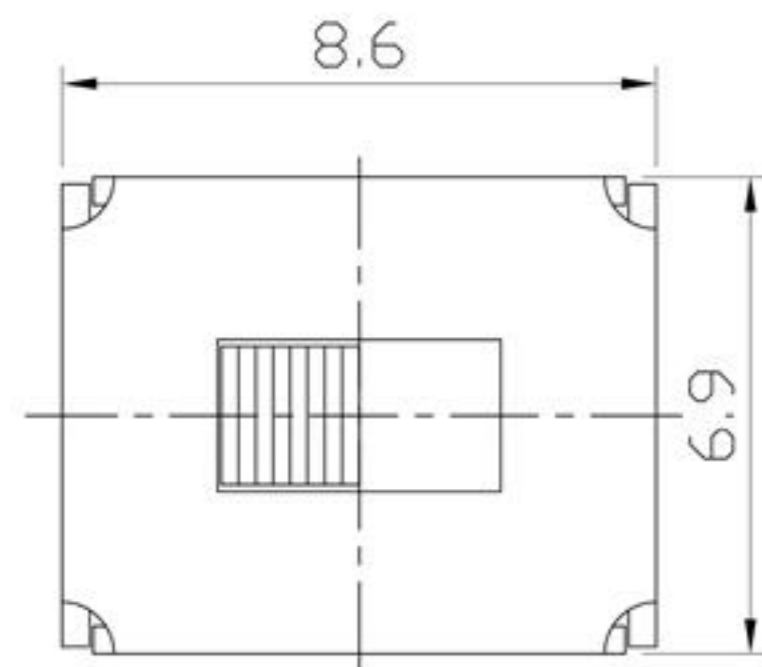




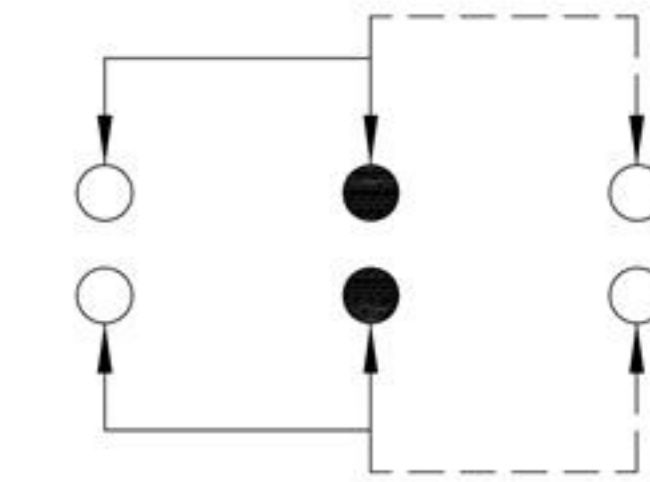
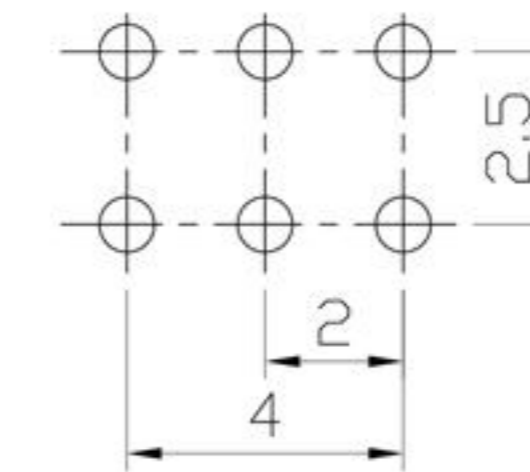
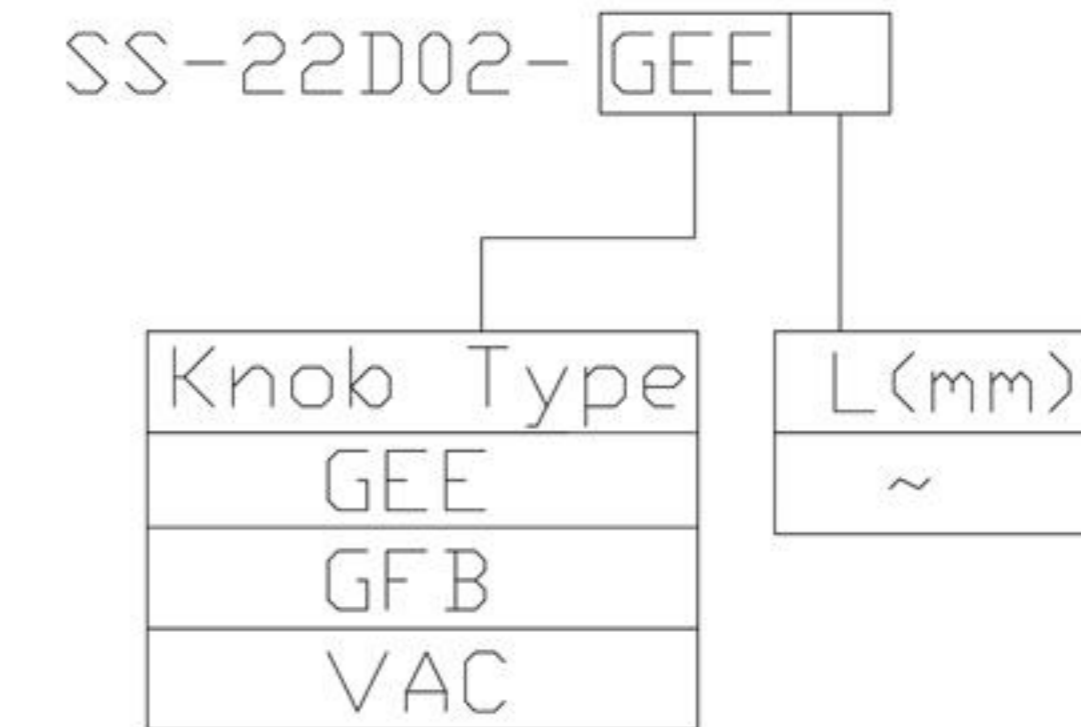
RoHS  
Compliant  
2002/95/EC

REV.	ECN.	NO.	APPD.

### DIMENSIONS

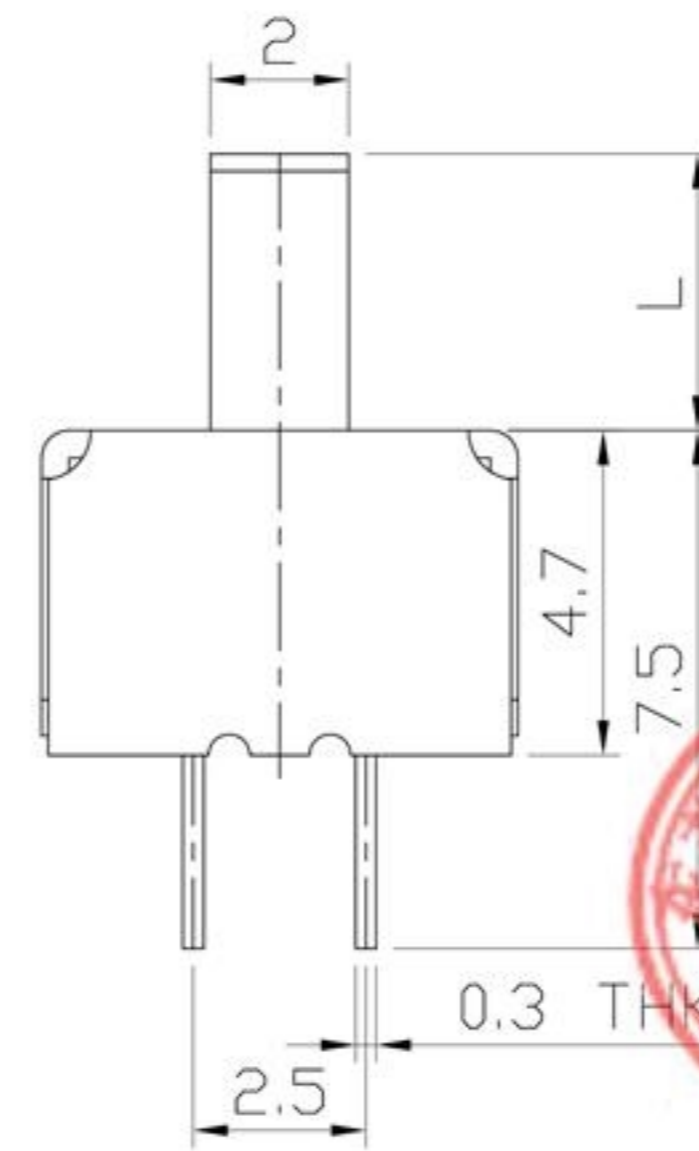
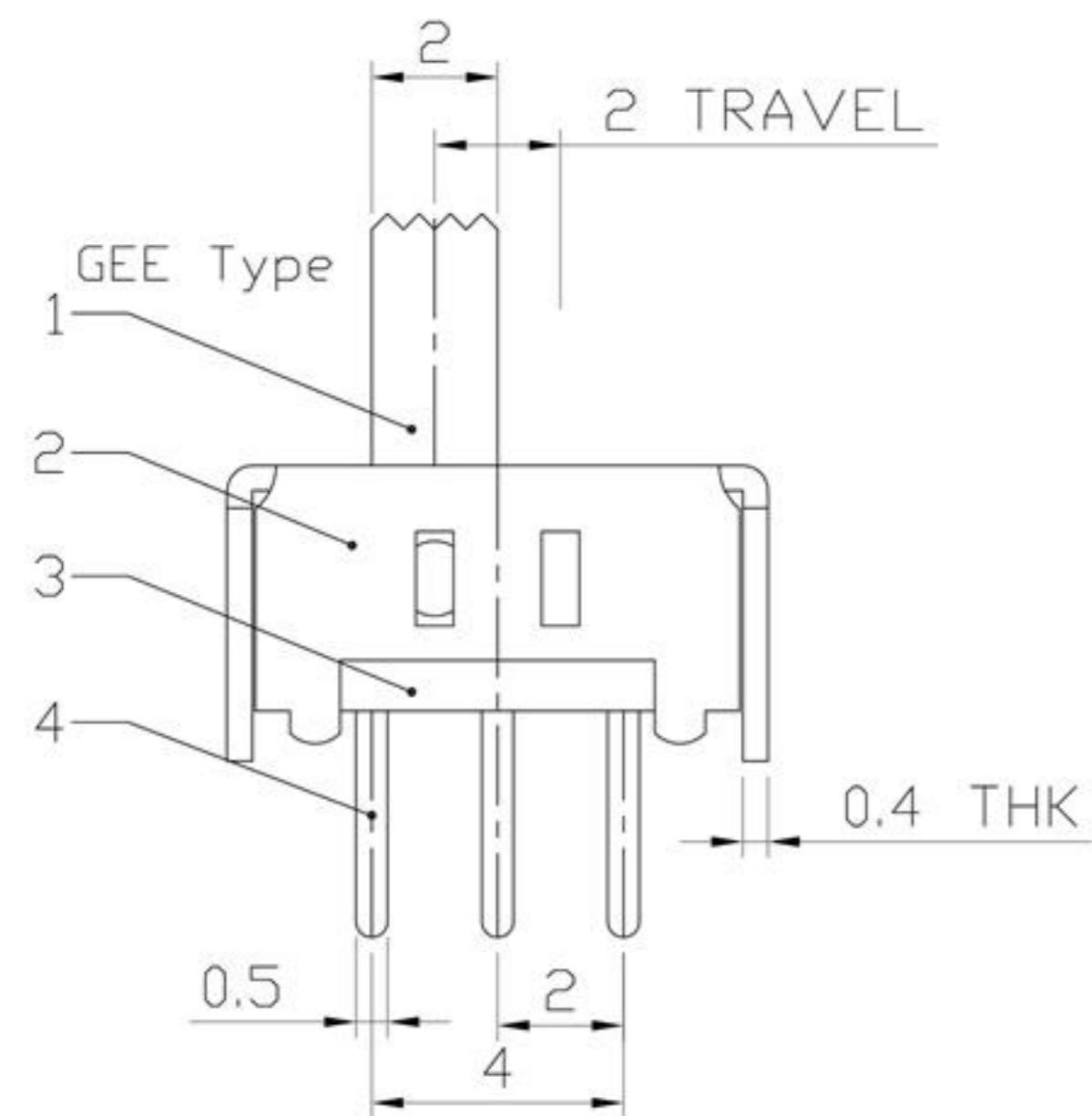


### MODEL CODE



P.C.B LAYOUT  
BOTTOM VIEW

CIRCUIT DIAGRAM



### ELECTRO-MECHANICAL CHARACTERISTICS

Refer to additional specifications

RATING	0.3A 50V DC
CIRCUIT	2P2T
CONTACT RESISTANCE	100mΩ MAX.
TIMING	NON-SHORTING
TRAVEL	2mm
OPERATING FORCE	250±100gf
OPERATING LIFE(cycles)	10,000



8					WITHIN 1.5mm: ±0.1mm	UNITS mm	<b>东莞市铀高电子制品有限公司</b>				
7					OVER 1.5mm: ±0.2mm	MAT'L					
6	SPRING PLATED	PBS STRIP	1	NATURAL		SEE NOTE	TITLE:	PART NO.:			
5	CONTACT CLIP	PBS STRIP	1	Ag PLATED			SLIDE SWITCH / VERTICAL	SS-22D02			
4	TERMINAL	BRASS STRIP	6	Ag PLATED			DR: Ricky 2015/05/26	DWG NO.:			
3	BASE	PHENOLIC RESIN	1	NATURAL			CHKD: Ricky 2015/05/26	ADL-22D02			
2	FRAME	STEEL STRIP	1	Ni PLATED			APPD:	SCALE	SHEET	REV.	CUSTOMER
1	KNOB	POM	1	BLACK				4:1	1/1	A	DRAWING
NO.	PARTS	MATERIAL	Q'TY	FINISHING							

THESE DRAWINGS AND SPECIFICATIONS ARE THE PROPERTY OF ACCURATE INNOTECH INC AND SHALL NOT BE REPRODUCED, COPIED OR USED IN ANY MANNER WITHOUT THE PRIOR WRITTEN CONSENT OF ACCURATE INNOTECH INC.

