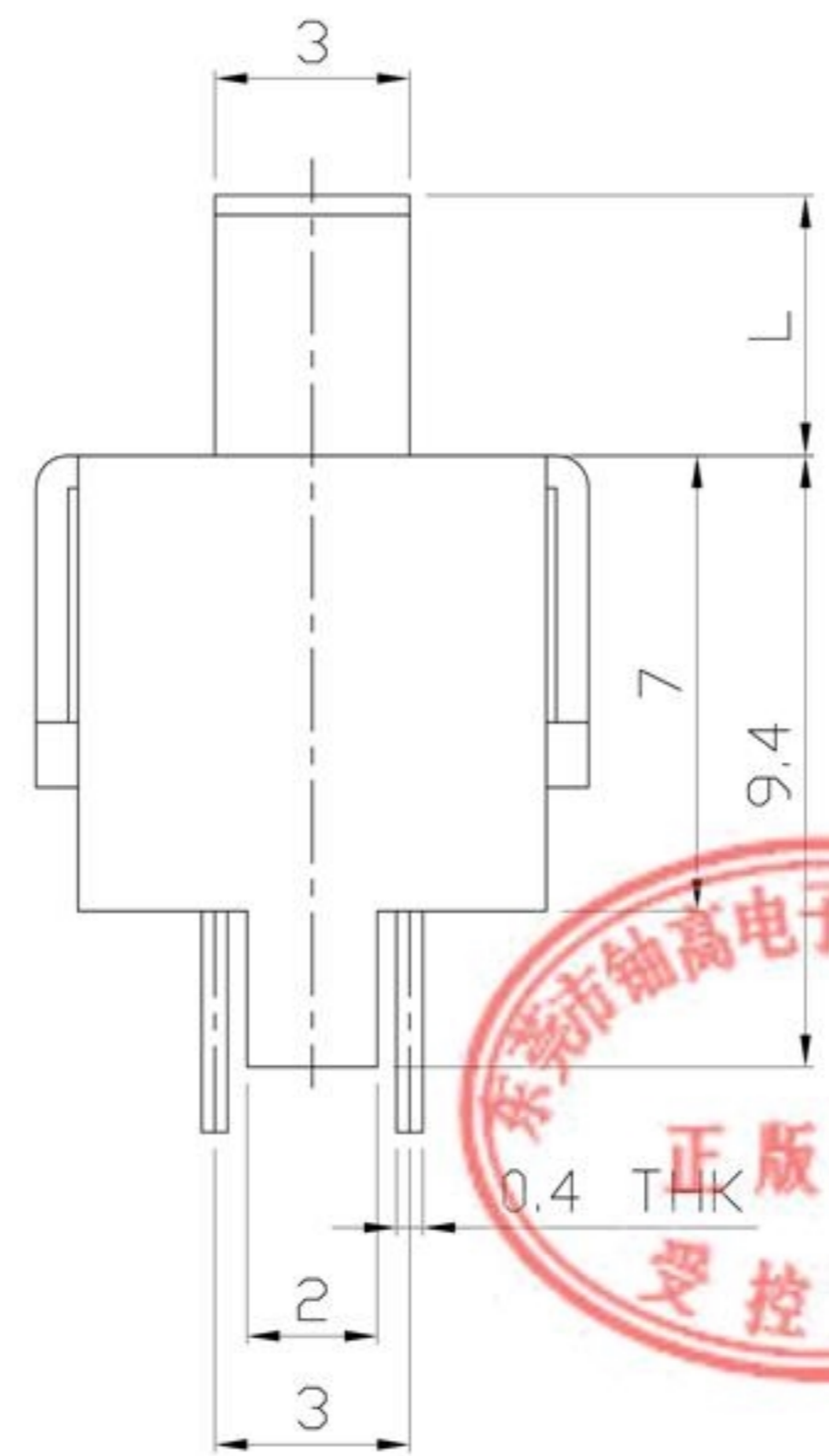
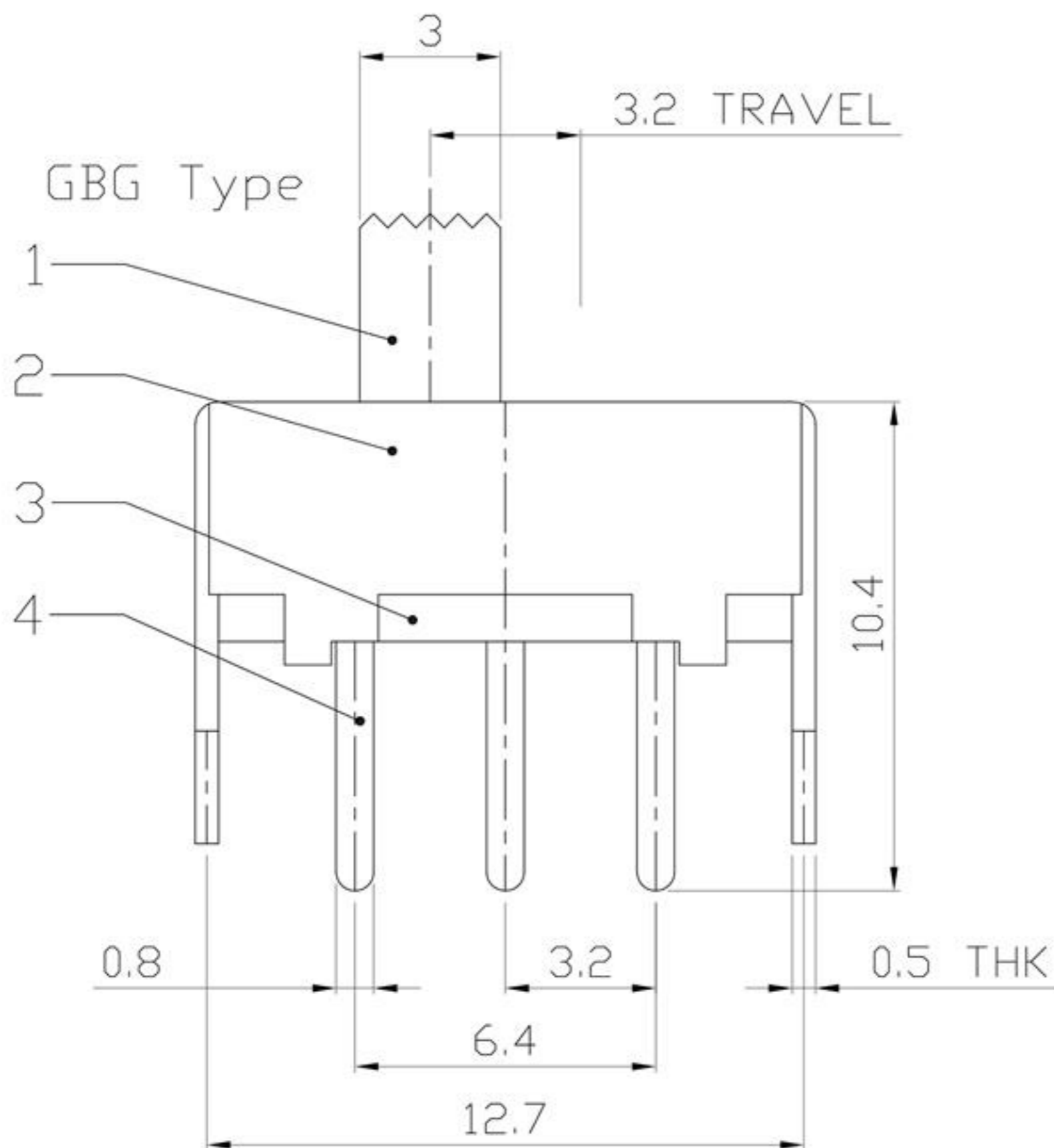
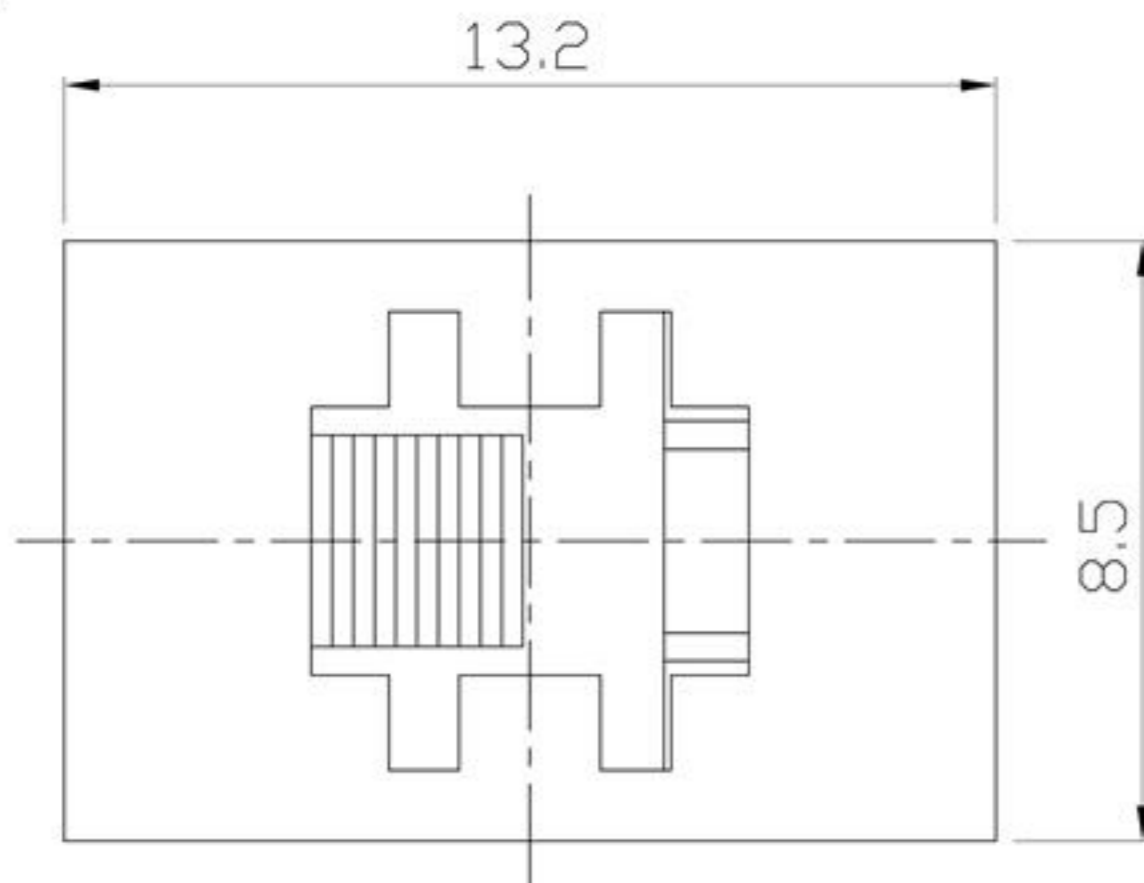




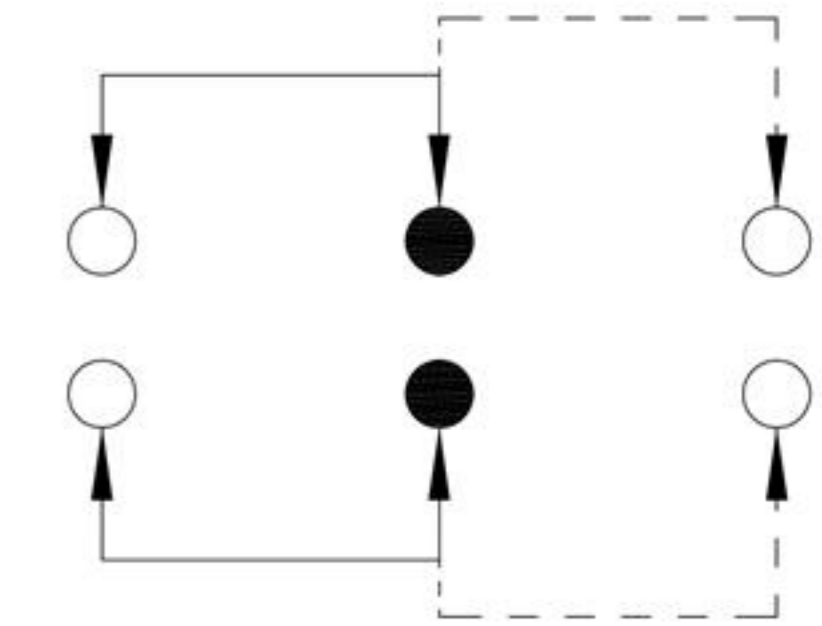
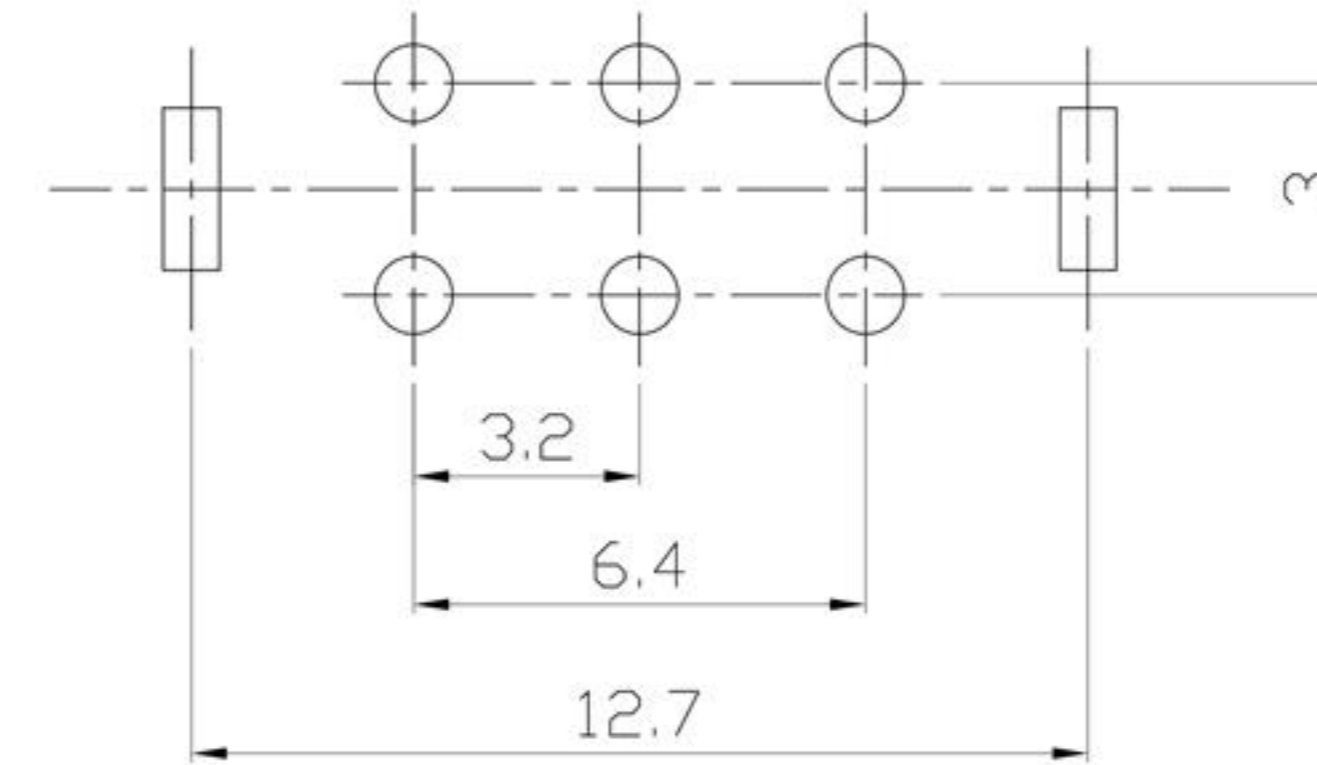
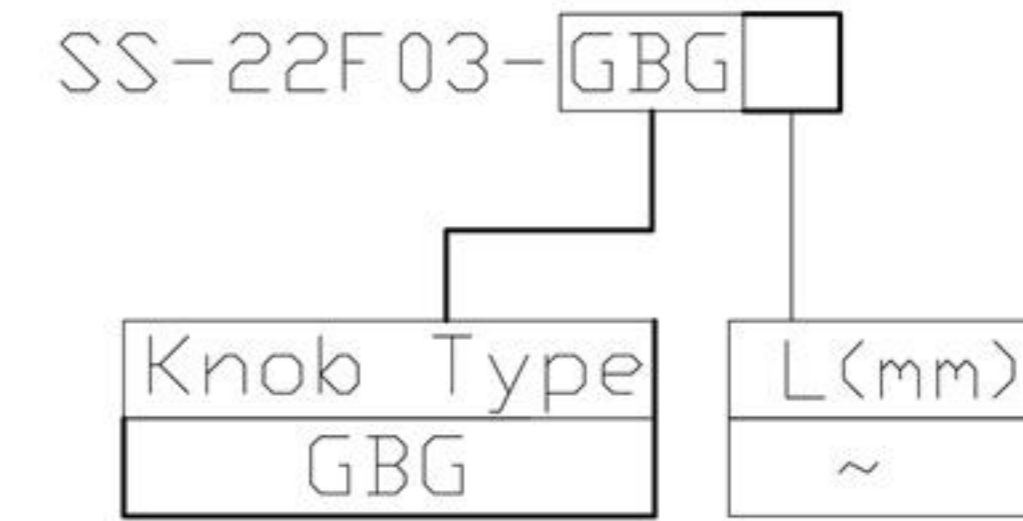
RoHS Compliant
2002/95/EC

REV.	ECN.	NO.	APPD.

DIMENSIONS



MODEL CODE



P.C.B LAYOUT
BOTTOM VIEW

CIRCUIT DIAGRAM

ELECTRO-MECHANICAL CHARACTERISTICS

Refer to additional specifications

RATING	0.5A 50V DC
CIRCUIT	2P2T
CONTACT RESISTANCE	100mΩ MAX.
TIMING	NON-SHORTING
TRAVEL	3.2mm
OPERATING FORCE	200±80gf
OPERATING LIFE(cycles)	10,000



8					WITHIN 1.5mm: ±0.1mm	UNITS	mm	东莞市铀高电子制品有限公司					
7					OVER 1.5mm: ±0.2mm	MAT'L	SEE NOTE					TITLE: SLIDE SWITCH / VERTICAL	
6	CONTACT	BRASS	2	Ag PLATED				DR: Ricky 2015/09/01		DWG NO.: ADL-22F03			
5	SPRING	STEEL WIRE	2	NATURAL				CHKD: Ricky 2015/09/01		SCALE	SHEET	REV.	CUSTOMER DRAWING
4	TERMINAL	BRASS STRIP	6	Ag PLATED				APPD:		1:3	1/1	A	
3	BASE	PHENOLIC RESIN	1	NATURAL				Q'TY					
2	FRAME	STEEL STRIP	1	Ni PLATED				FINISH					
1	KNOB	POM	1	BLACK				SEE NOTE					
NO.	PARTS	MATERIAL	Q'TY	FINISHING	THESE DRAWINGS AND SPECIFICATIONS ARE THE PROPERTY OF ACCURATE INNOTECH INC AND SHALL NOT BE REPRODUCED, COPIED OR USED IN ANY MANNER WITHOUT THE PRIOR WRITTEN CONSENT OF ACCURATE INNOTECH INC.								