



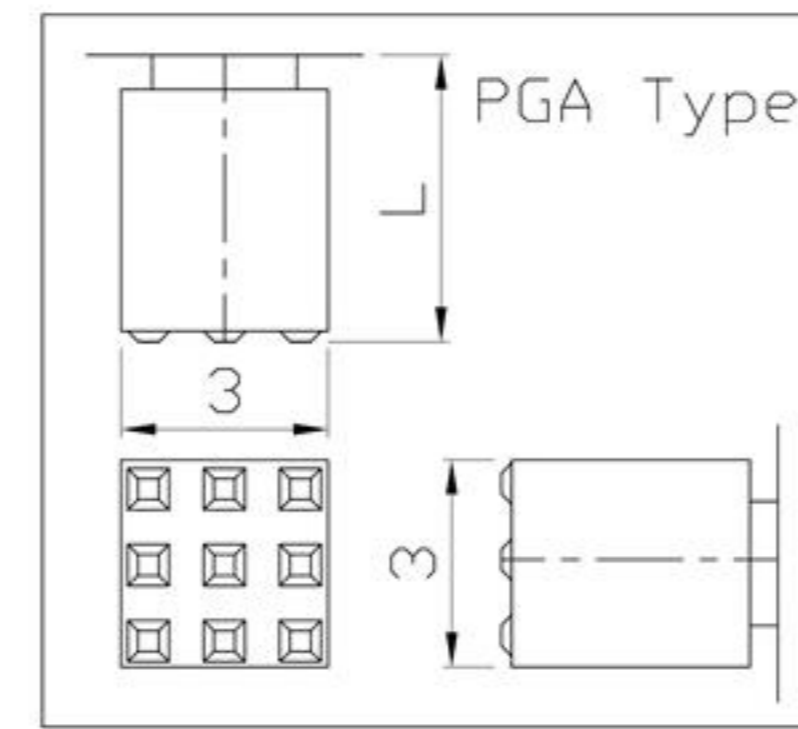
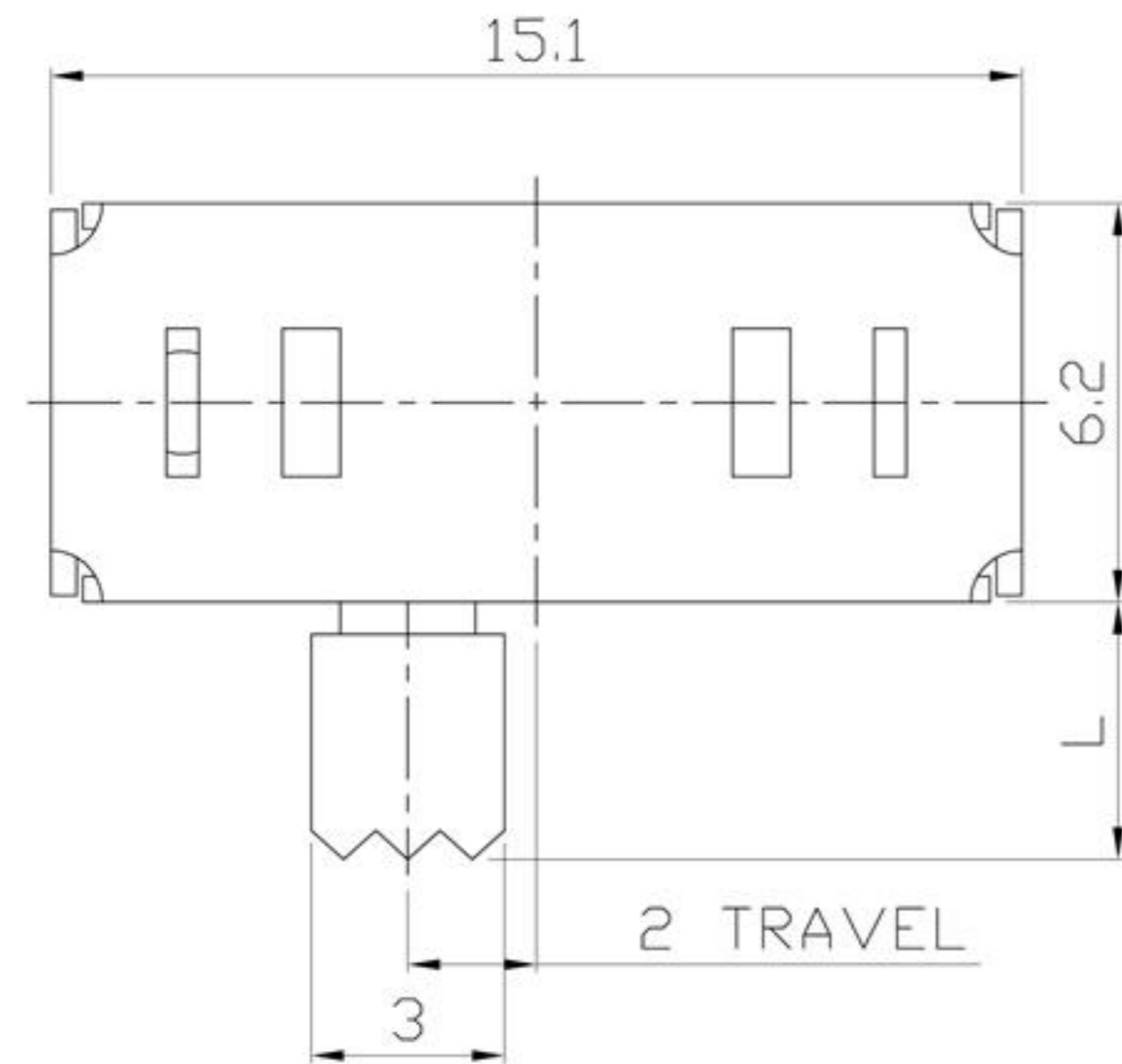
**RoHS Compliant**  
2002/95/EC

REV.	ECN.	NO.	APPD.

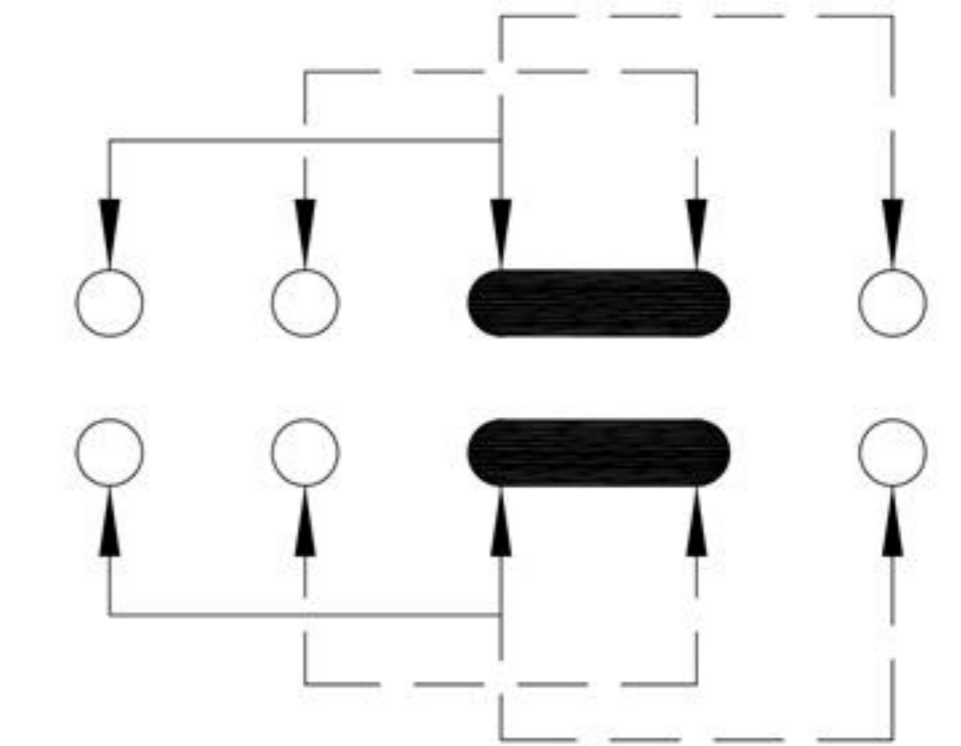
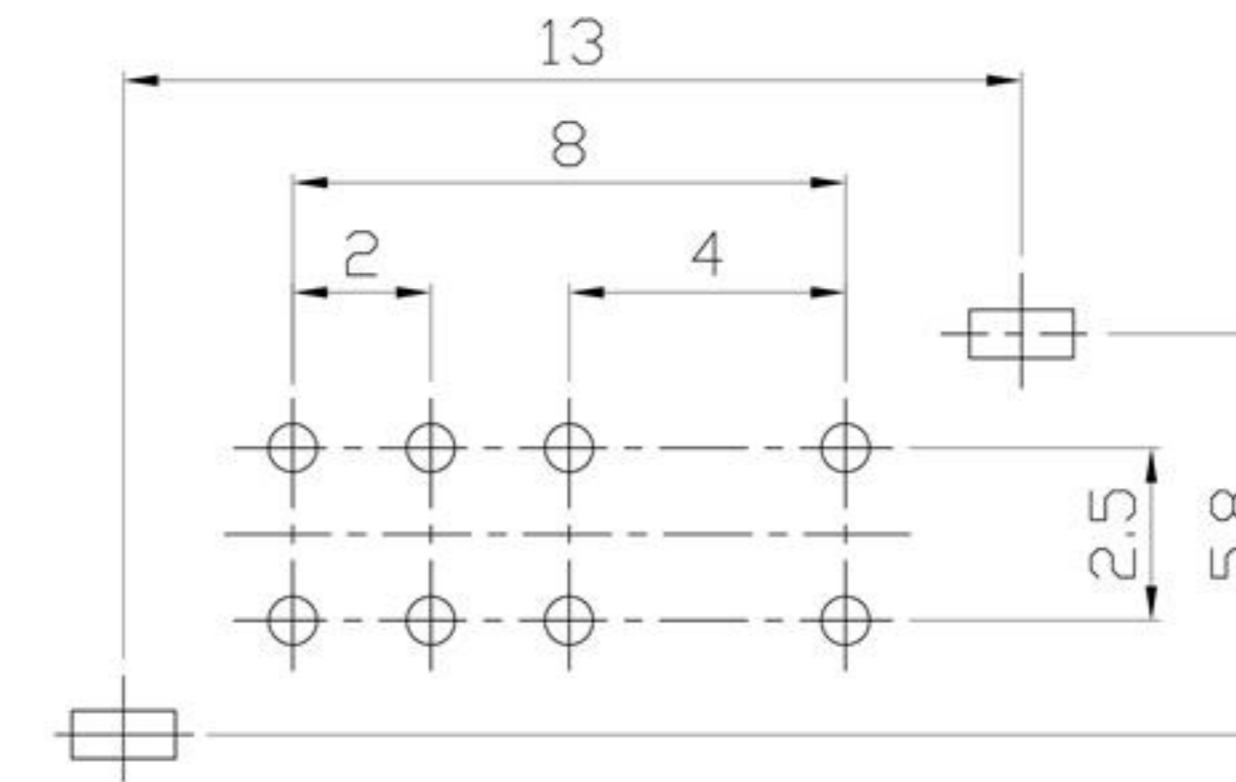
**MODEL CODE**

SK-23D06-GEI

**DIMENSIONS**

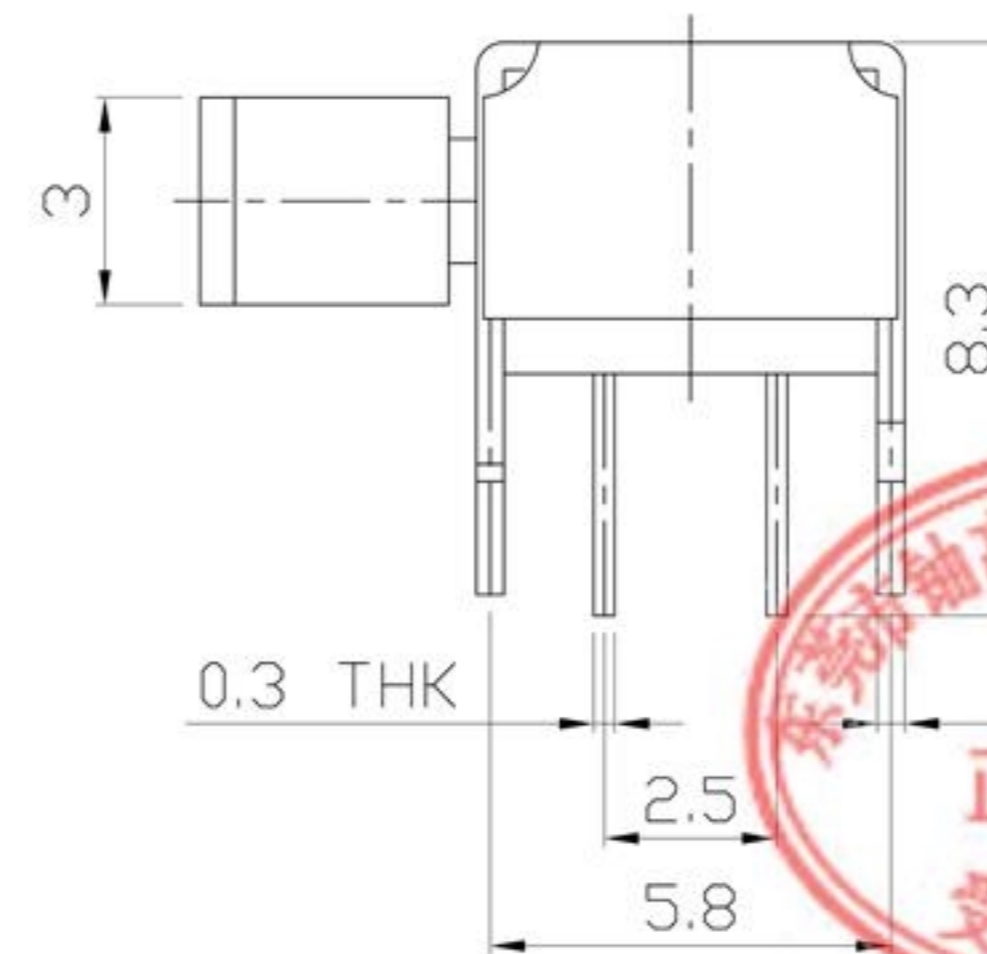
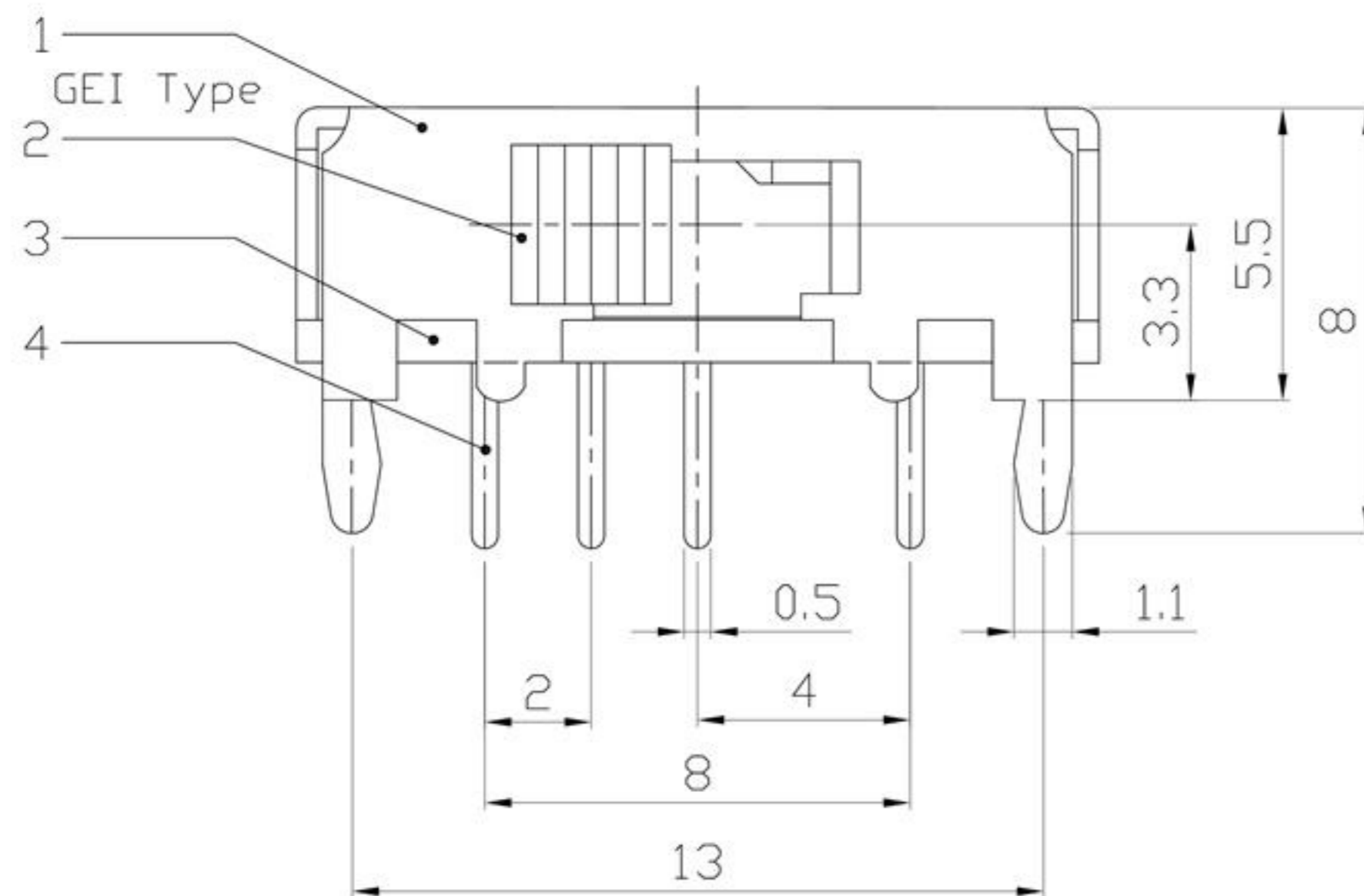


Knob Type	L(mm)
GEI	~
PGA	~



P.C.B LAYOUT  
BOTTOM VIEW

CIRCUIT DIAGRAM



**ELECTRO-MECHANICAL CHARACTERISTICS**

Refer to additional specifications

RATING	0.3A 50V DC
CIRCUIT	2P3T
CONTACT RESISTANCE	100mΩ MAX.
TIMING	SHORTING
TRAVEL	2mm
OPERATING FORCE	250±100gf
OPERATING LIFE(cycles)	10,000



8					WITHIN 1.5mm: ±0.1mm	UNITS	mm	东莞市铀高电子制品有限公司						
7					OVER 1.5mm: ±0.2mm	MAT'L	SEE NOTE							
6	SPRING PLATE	PBS STRIP	1	NATURAL				TITLE:	SLIDE SWITCH / HORIZONTAL			PART NO.:	SK-23D06	
5	CONTACT CLIP	PBS STRIP	2	Ag PLATED				DR:	Ricky 2016/07/11			DWG NO.:	ADL-23D06	
4	TERMINAL	BRASS STRIP	8	Ag PLATED				CHKD:	Ricky 2016/07/11			SCALE	3:1	
3	BASE	PHENOLIC RESIN	1	NATURAL				APPD:			SHEET	1/1	REV.	A
2	KNOB	POM	1	BLACK							CUSTOMER	DRAWING		
1	FRAME	STEEL STRIP	1	Ni PLATED										
NO.	PARTS	MATERIAL	Q'TY	FINISHING										

THESE DRAWINGS AND SPECIFICATIONS ARE THE PROPERTY OF ACCURATE INNOTECH INC AND SHALL NOT BE REPRODUCED, COPIED OR USED IN ANY MANNER WITHOUT THE PRIOR WRITTEN CONSENT OF ACCURATE INNOTECH INC.