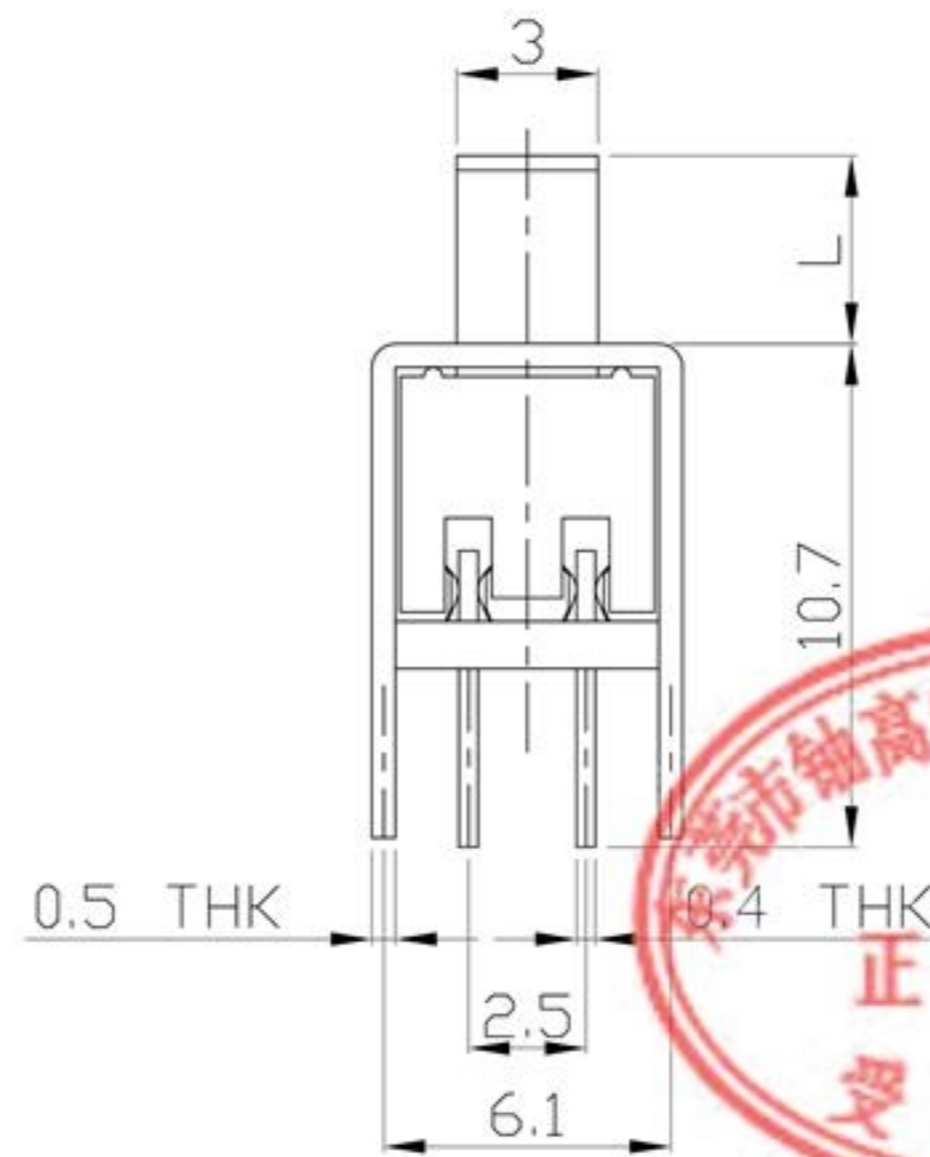
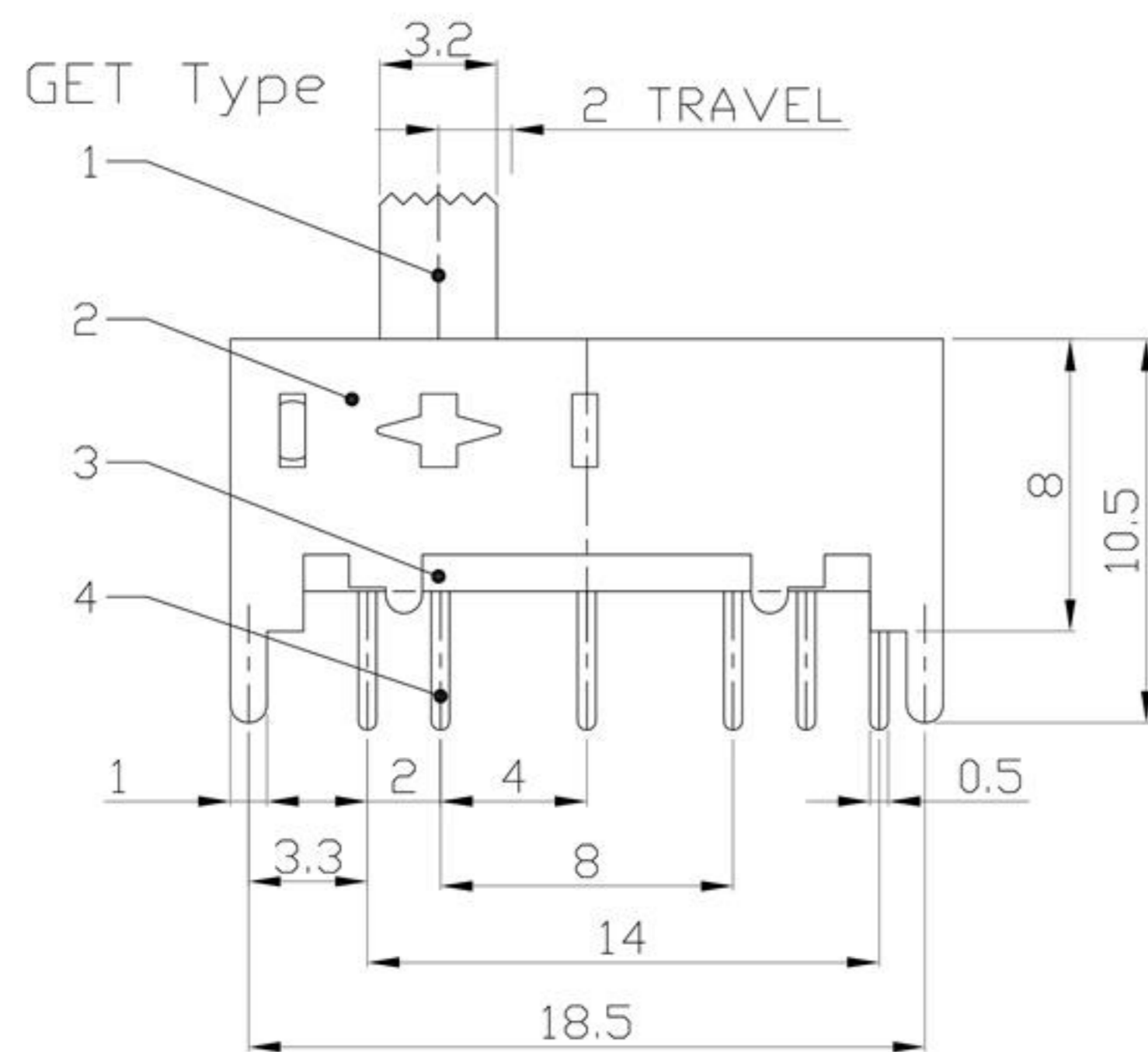
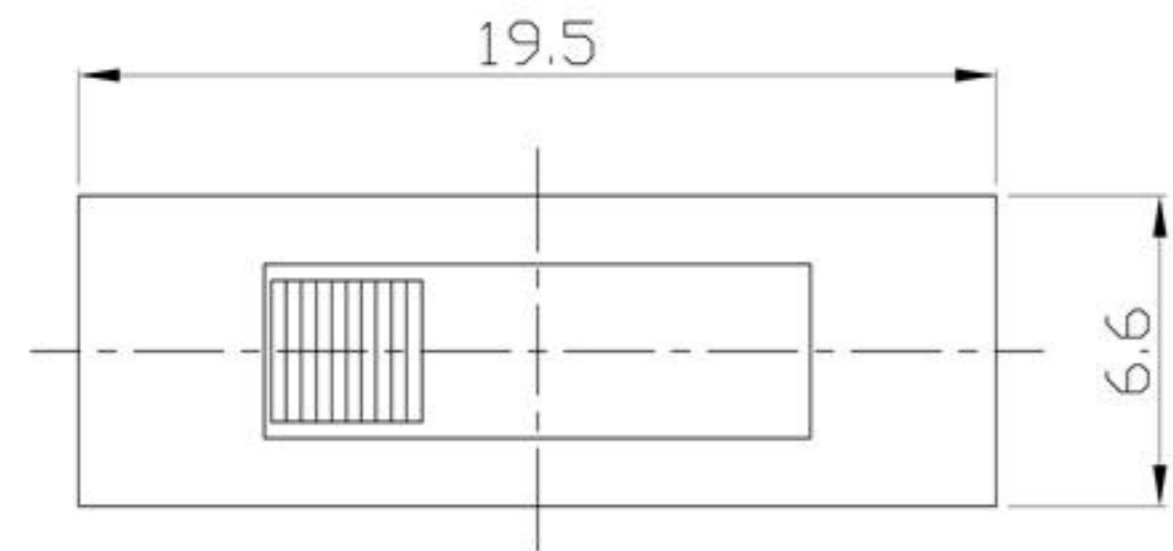




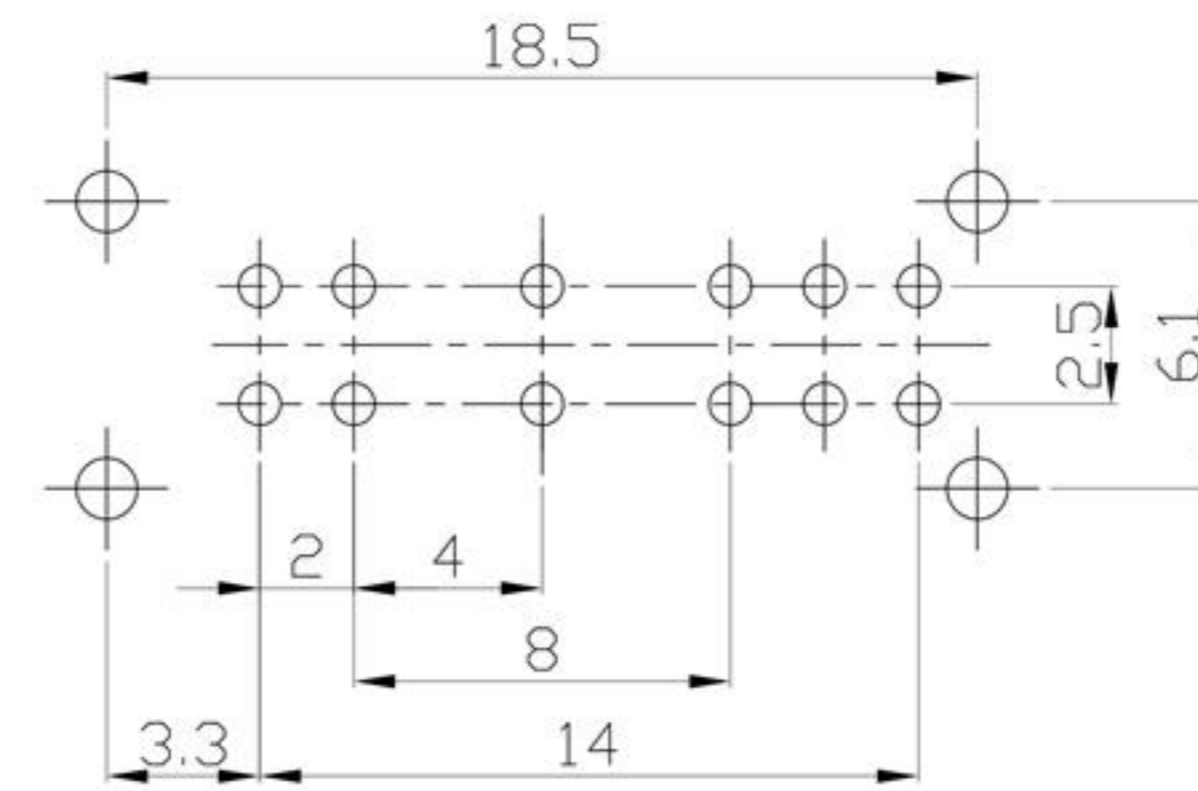
RoHS  
Compliant  
2002/95/EC

REV.	ECN.	NO.	APPD.

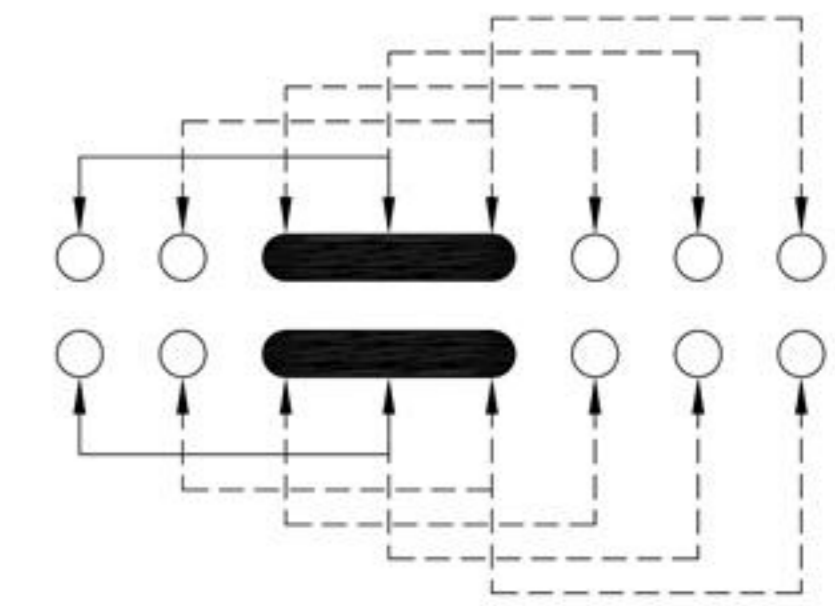
### DIMENSIONS



### MODEL CODE



P.C.B LAYOUT  
BOTTOM VIEW



CIRCUIT DIAGRAM

### ELECTRO-MECHANICAL CHARACTERISTICS

Refer to additional specifications

RATING	0.3A 50V DC
CIRCUIT	2P5T
CONTACT RESISTANCE	100mΩ MAX.
TIMING	SHORTING
TRAVEL	2mm
OPERATING FORCE	250±100gf
OPERATING LIFE(cycles)	10,000



8					WITHIN 1.5mm: ±0.1mm	UNITS	mm	东莞市铀高电子制品有限公司						
7	STEEL BALL	STEEL	2	NATURAL	OVER 1.5mm: ±0.2mm	MAT'L								
6	SPRING	STEEL WIRE	1	NATURAL		SEE NOTE	TITLE:	SLIDE SWITCH / VERTICAL			PART NO.:	SS-25D01		
5	CONTACT CLIP	PBS STRIP	2	Ag PLATED			DR:	Ricky 2015/10/20			DWG NO.:	ADL-25D01		
4	TERMINAL	BRASS STRIP	12	Ag PLATED			CHKD:	Ricky 2015/10/20			SCALE	SHEET	REV.	CUSTOMER
3	BASE	PHENOLIC RESIN	1	NATURAL			APPD:				3:1	1/1	A	DRAWING
2	FRAME	STEEL STRIP	1	Ni PLATED				THESE DRAWINGS AND SPECIFICATIONS ARE THE PROPERTY OF ACCURATE INNOTECH INC AND SHALL NOT BE REPRODUCED, COPIED OR USED IN ANY MANNER WITHOUT THE PRIOR WRITTEN CONSENT OF ACCURATE INNOTECH INC.						
1	KNOB	POM	1	BLACK										
NO.	PARTS	MATERIAL	Q'TY	FINISHING										