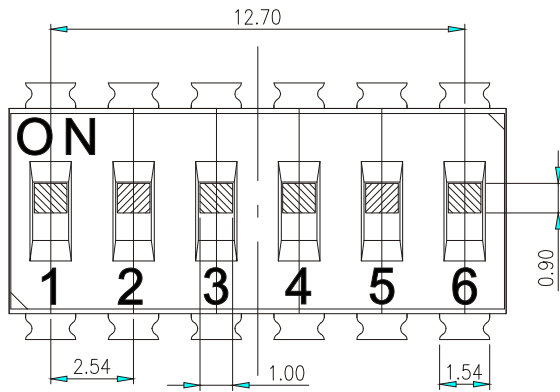
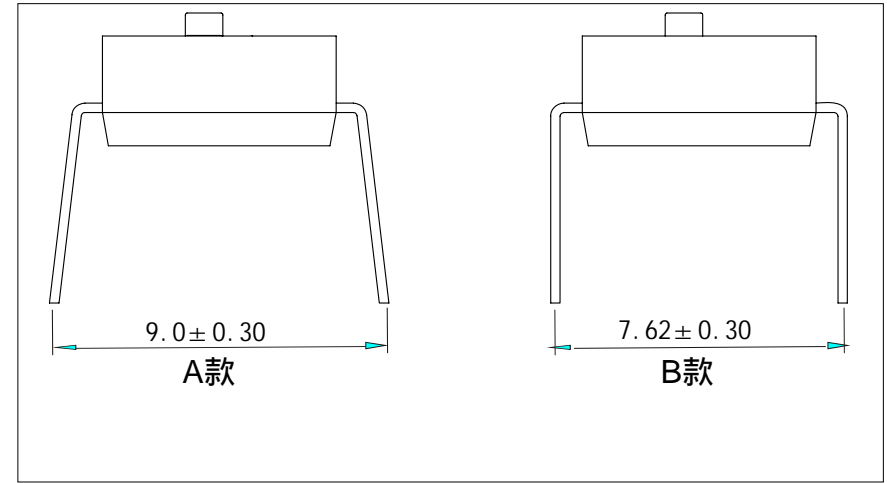
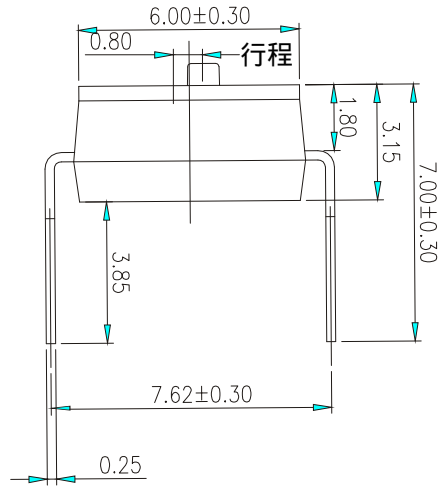
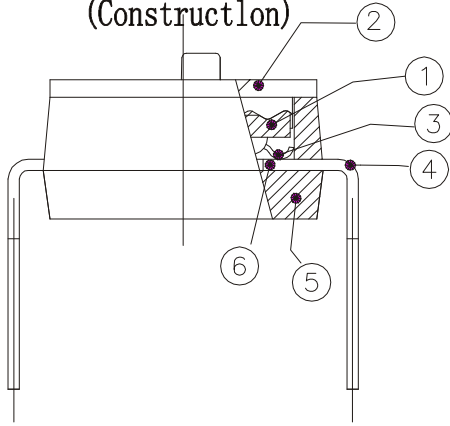




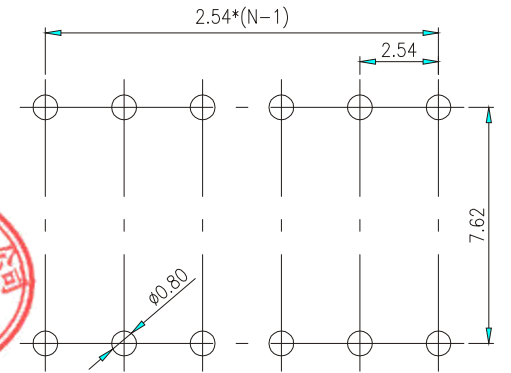
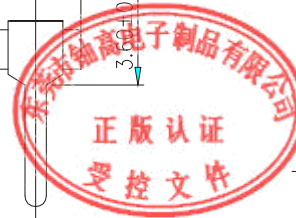
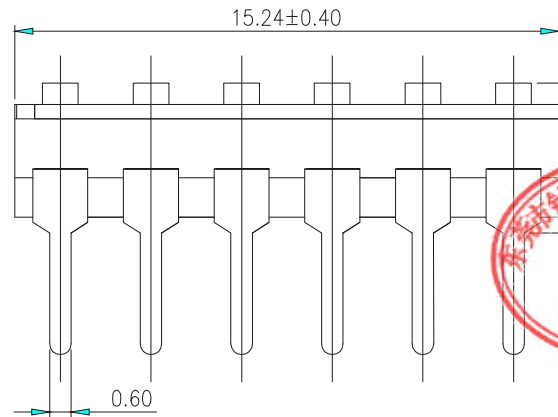
RoHS Compliant
2002/95/EC

REV.	ECN.	NO.	APPD.

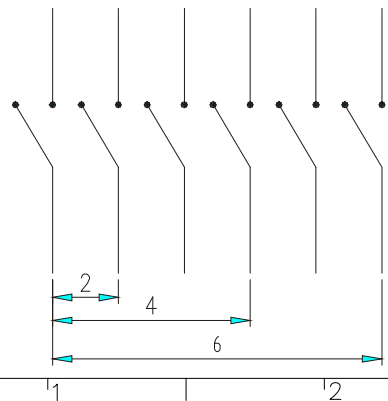
(Construction)



[Schematic]



RECOMMENDED P.C.B. LAYOUT (TOP VIEW)



Number	Part Name	Material	Finished	尺寸範圍	容許值	UNITS mm(IN)	
①	Actuator	UL94 V0	White	0-4	±0.05	MAT'L	
②	Cover	UL94 V0	Black	4-16	±0.1	SEE NOTE	
③	Movable	Copper Alloy	3u"Gold	16-50	±0.15	FINISH	
④	Terminal	Brass	1u"Gold	THESE DRAWINGS AND SPECIFICATIONS ARE THE PROPERTY OF ACCURATE 3K-KAMING(LANG LUN) INC. AND SHALL NOT BE REPRODUCED, COPIED OR USED IN ANY MANNER WITHOUT THE PRIOR WRITTEN CONSENT OF ACCURATE 3K-KAMING(LANG LUN) INC.			
⑤	Base	UL94 V0	Black				SEE NOTE
⑥	Terminal Contact	Brass	3u"Gold				Q'TY

东莞市铰高电子制品有限公司			
TITLE: MACHINE INSERT TABLE TYPE DIP SWITCH		PART NO.: YK-R1R-06□	
DR: Ricky 2014/04/08		DWG NO.: YK-R1R-06□	
CHKD: Ricky 2014/04/08		SCALE: 1:1	SHEET: 1/1
APPD:		REV: A	CUSTOMER DRAWING