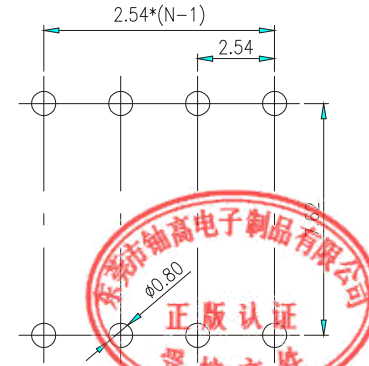
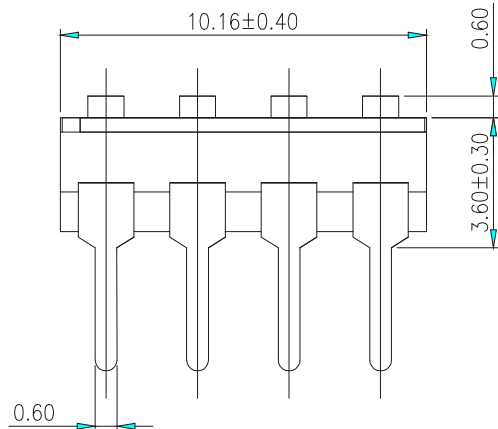
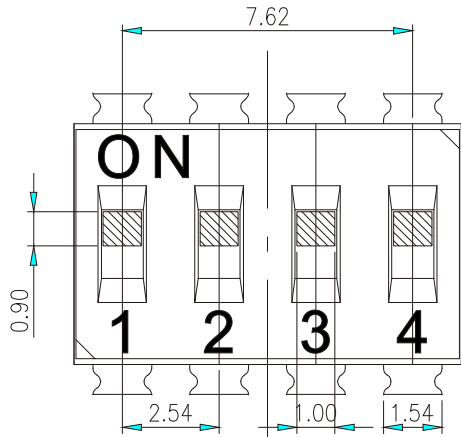
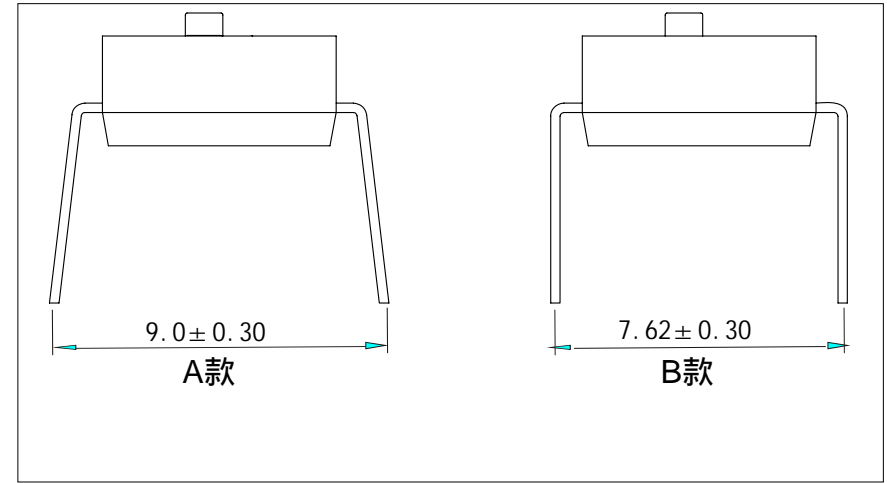
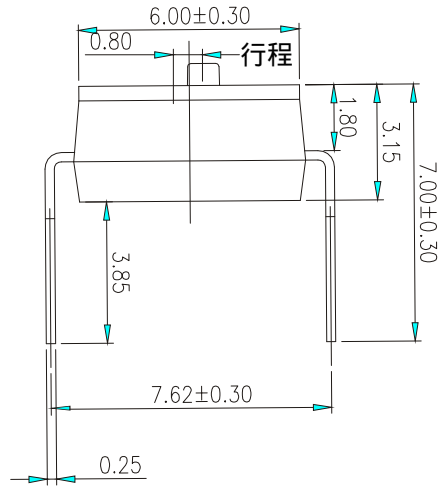
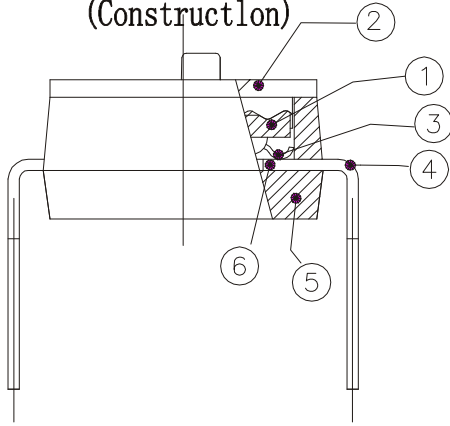




RoHS
Compliant
2002/95/EC

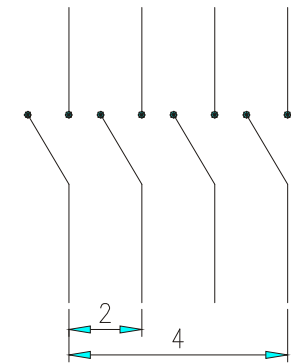
REV.	ECN. NO.	APPD.

(Construction)



RECOMMENDED P. C. B. LAYOUT (TOP VIEW)

[Schematic]



Number	Part Name	Material	Finished	尺寸範圍	容許值	UNITS mm(IN)	
①	Actuator	UL94 V0	White	0-4	±0.05	MAT'L	
②	Cover	UL94 V0	Black	4-16	±0.1	SEE NOTE	
③	Movable	Copper Alloy	3u"Gold	16-50	±0.15	FINISH	
④	Terminal	Brass	1u"Gold	THESE DRAWINGS AND SPECIFICATIONS ARE THE PROPERTY OF ACCURATE 3K-KAMING(LANG LUN) INC. AND SHALL NOT BE REPRODUCED, COPIED OR USED IN ANY MANNER WITHOUT THE PRIOR WRITTEN CONSENT OF ACCURATE 3K-KAMING(LANG LUN) INC.			
⑤	Base	UL94 V0	Black				Q'TY
⑥	Terminal Contact	Brass	3u"Gold				

东莞市铀高电子制品有限公司

TITLE: MACHINE INSERT TABLE
TYPE DIP SWITCH
DR: *Ricky* 2014/04/08
CHKD: *Ricky* 2014/04/08
APPD:

PART NO.: YK-RIR-04□
DWG NO.: YK-RIR-04□
SCALE: 1:1 SHEET: 1/1 REV.: A CUSTOMER DRAWING